



## CDR-170

# Compact tabletop bread moulder



### Ideal for:

- Breads
- Challah
- Hot Dog Buns
- Specialty Breads
- Dinner Rolls
- Bolillos
- Cuban Bread
- Sub Rolls
- Breadsticks
- Pretzels
- Baguettes

### Highlights:

- Makes 30 pcs. per minute, up to 15" (38cm) long
- High volume production
- Consistent products every time
- Easily adjusts for a variety of breads
- Ergonomic design makes it easy to operate and clean
- An ideal machine for limited counter space

## CDR-170

# Compact tabletop bread moulder

Interchangeable pressure plate from 6" (15.3cm) to 11" (27.9cm)

INTERCHANGEABLE PRESSURE PLATES ORDERED SEPARATELY.

### Features

- Synthetic rollers
- Safety sensors for automatic shutoff
- Compact design, ideal for use in limited space
- Sanitary, heavy duty, all stainless steel welded construction
- Spring loaded scrapers readily removable for easy cleaning
- Simple handle adjustment for uniform products
- Maintenance free drive mechanism, isolated from the roller area
- Easy to operate, easy to clean
- Special pressure plates available to increase machine's versatility

### Industry Uses

- Bakeries
- Cafes
- Restaurants
- Supermarkets
- Institutions
- Delis
- Sub Shops

### Contact us

978.667.3355 | 800.772.440

Fax: 978.671.9466

Email: [somerset@smrset.com](mailto:somerset@smrset.com)

[smrset.com](http://smrset.com)

Somerset Industries, Inc.  
137 Phoenix Ave  
Lowell, MA 01852 USA



Convenient table on casters available

### Specifications

(Specifications subject to change without notice)

**Rollers:** 3.5" (9cm) dia. by 15" (38cm) length

**Scrapers:** Synthetic, Spring Loaded, Removable

**Bearings:** Sealed Ball Bearings, Permanently Lubricated

**Gear Motor:** Heavy Duty 1/2 HP, Maintenance Free, Single Phase, 115v/60Hz or 220v/50Hz

**Conveyor Length:** 50" (127cm)

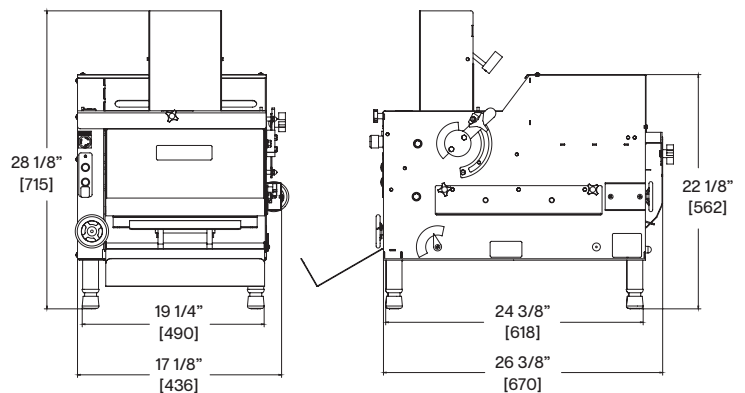
**Conveyor Width:** 14" (35.6cm)

**Pressure Plate:** 14" x 24" (35.50cm x 61cm)

**Finishing:** All Stainless Steel

**Weight:** 190 lbs (86Kgs)

**Shipping Weight:** 230lbs (105kgs)



Scan the code to learn more about the CDR-170

