

Project: _____ Location: _____ Item #: _____ Quantity: _____

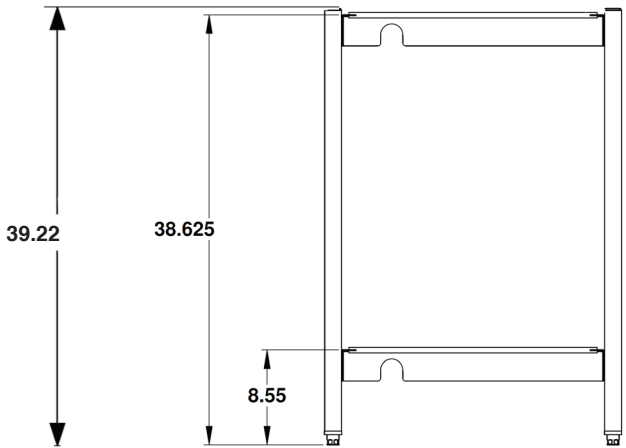
Standard Features

Stainless steel, ergo-low, double stack support stand for AccuTemp Evolution[™] and Steam'N'Hold[™] steamers. Stand will hold (2) AccuTemp steamers and has the option of 5" casters, adjustable bullet feet, or flanged feet.

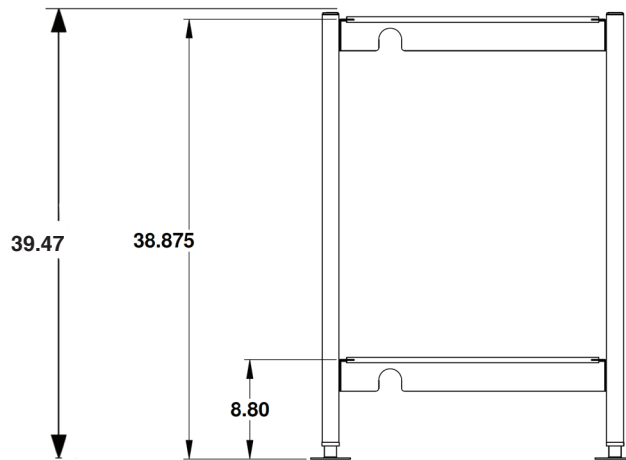
Approvals



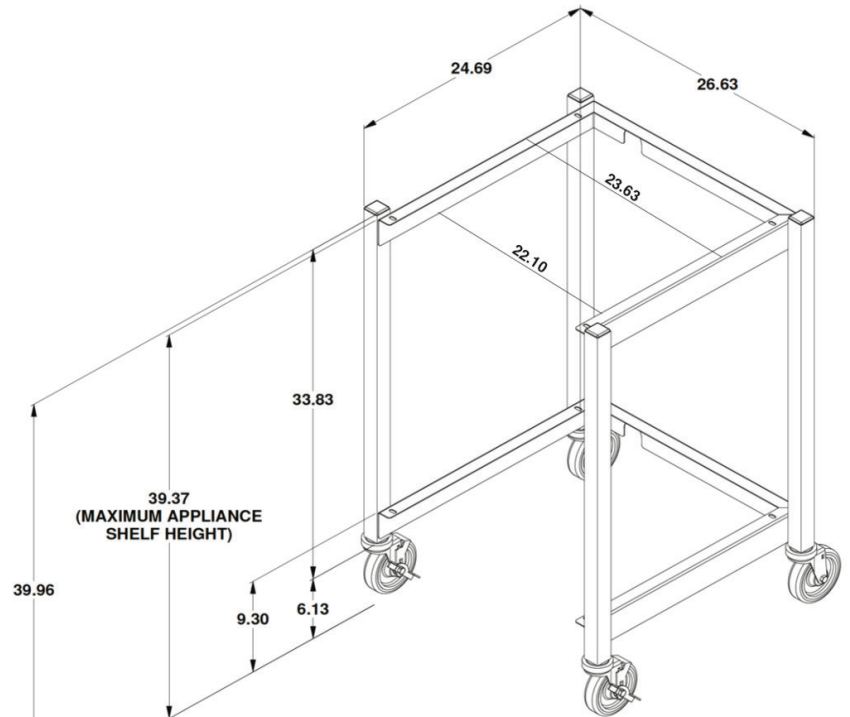
DOUBLE STACKED STEAMER STAND (DBL) MODEL NUMBERS			
Model #	SNH-20-01	SNH-21-01	SNH-23-01
Description	Ergo-Low Stand, Double Unit with Bullet Feet	Ergo-Low Stand, Double Unit with Casters	Ergo-Low Stand, Double Unit with Flanged Feet
Overall Height	39.22 in	39.96 in	39.47 in
Width	26.63 in	26.63 in	26.63 in
Depth	24.69 in	24.69 in	24.69 in
Compatibility	Steam'N'Hold, Electric, (2) 6 Pan, (2) 3 Pan Units, or (1) 6 Pan/ (1) 3 Pan Evolution, Electric, (2) 6 Pan Connected or Connectionless Units Evolution, Natural Gas or Propane, (2) 6 Pan Connected Units ONLY <i>[For Evolution Natural Gas or Propane Connectionless Units, see -06 spec sheet]</i>		



MODEL SNH-20-01 SHOWN



MODEL SNH-23-01 SHOWN



MODEL SNH-21-01 SHOWN