



STAINLESS STEEL

HAND SINKS PEDESTAL BASE



Conforms To NSF 61/9 Lead Free Requirements



7-PS-90



7-PS-96



7-PS-99



7-PS-95



7-PS-18

Item #:	_____	Qty #:	_____
Model #:	_____		
Project #:	_____		

FEATURES:

One piece **Deep Drawn** sink bowl design.

Sink bowl is 10" x 14" x 5"*.

(*7-PS-18 sink bowl is 14" x 16" x 6")

All sink bowls have a large liberal radii with a minimum dimension of 2" and are rectangular in design for increased capacity.

Stainless steel basket drain 1-1/2" IPS.

Flush-to-wall unit.

"Hands Free" splash mounted gooseneck faucet furnished with aerator.

(Faucet Flow Rate: 1.0 GPM/3.8 LPM aerator. 60 PSI.)

Foot Pedal Valve for water operation.

Easy removable panel to access hidden plumbing.

Specific Features:

7-PS-95 towel dispenser with hinged towel box. Unit uses standard C-fold towels. Liquid Soap dispenser.

7-PS-96 includes two 8" high Side Splashes.

7-PS-99 towel dispenser & soap dispenser plus trash receptacle & cabinet storage.

CONSTRUCTION:

All TIG welded.

Welded areas blended to match adjacent surfaces and to a satin finish.

Die formed Countertop Edge with a No-Drip offset.

One sheet of stainless steel - No Seams.

MATERIAL:

Heavy gauge type 304 series stainless steel.

Wall mounting bracket is galvanized and of offset design.

All fittings are brass / chrome plated unless otherwise indicated.

MECHANICAL:

Single pedal mixing valve with 3/8" NPT Female. Built in check valve.

Front operated temperature adjustment.

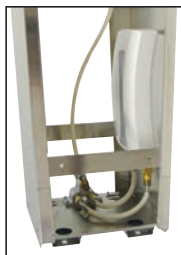
(Contractor on site must connect faucet to foot pedal operated valves.)

NOW AVAILABLE

Tankless Electric Heater
Only Needs Cold Water Supply

7-PS-92

Please See
Tankless Heater
Specification Sheet
for Details



WARNING:

Equipment that includes a faucet may expose you to chemicals, including lead, that are known to the State of California to cause cancer or birth defects or other reproductive harm. For more Info, visit www.p65warnings.ca.gov.



Customer Service Available To Assist You 1-800-645-3166 8:30 am - 7:00 pm E.S.T.

For Orders & Customer Service:

Email: customer@advancetabco.com or Fax: 631-242-6900

For Smart Fabrication™ Quotes:

Email: smartfab@advancetabco.com or Fax: 631-586-2933

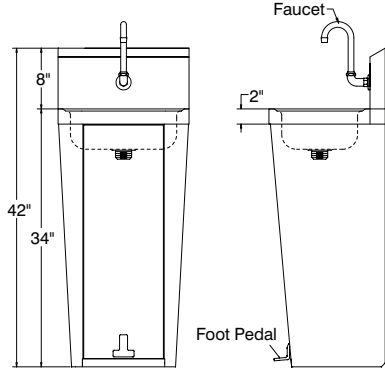
DIMENSIONS and SPECIFICATIONS

TOL Overall: ± .500" Interior: ± .250"

FITTINGS SUPPLIED AS SHOWN

ALL DIMENSIONS ARE TYPICAL

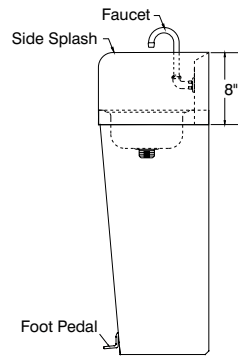
7-PS-90



Pedestal Base Front View
For 7-PS-90 & 7-PS-96

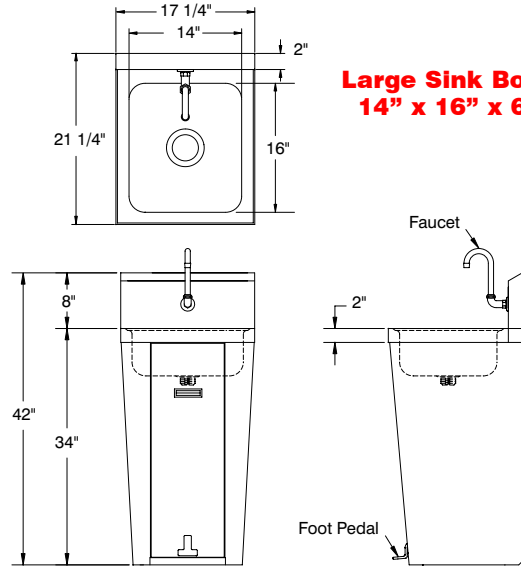
41 lbs.

7-PS-96



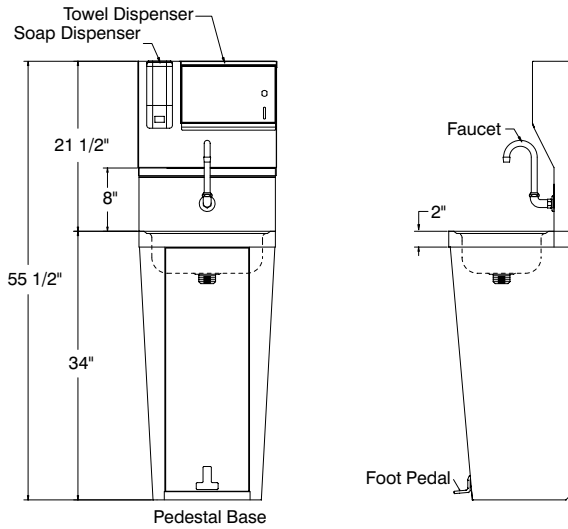
47 lbs.

7-PS-18



50 lbs.

7-PS-95

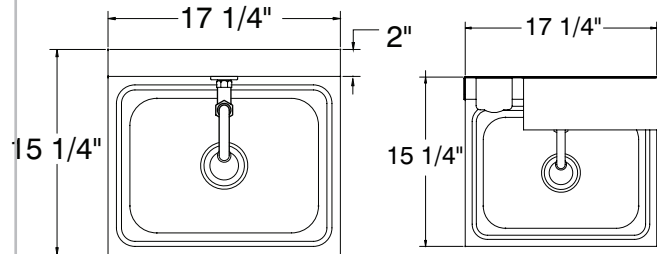


54 lbs.

Pedestal Base

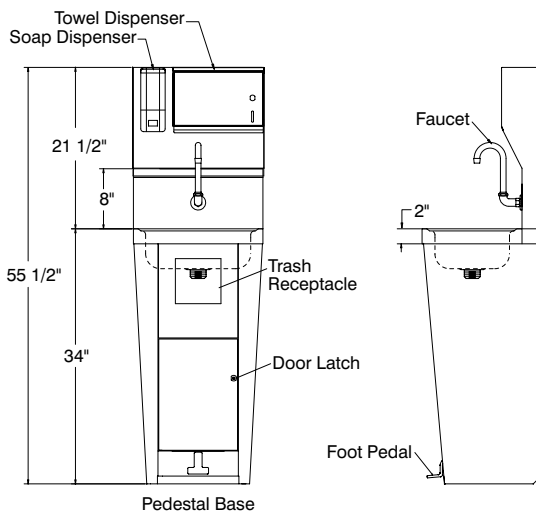
TOP VIEW 7-PS-90 & 7-PS-96

TOP VIEW 7-PS-95 & 7-PS-99



Sink Bowls 10" x 14" x 5"

7-PS-99



59 lbs.

Pedestal Base

REAR VIEW OF STANDARD PEDESTAL BASE UNITS

