



STAINLESS STEEL

REGALINE SINKS

Three Compartments - Two Drainboards



93 & 9 SERIES
Adjustable Side
Cross-Bracing

YES! It's SeaLess!



Item #: _____ Qty #: _____

Model #: _____

Project #: _____



94 SERIES
Adjustable Side &
Front Cross-Bracing



93 & 9 Series Adjustable
Side Cross-Bracing



94 Series Adjustable
Side & Front Cross-Bracing



Recessed Bowl Surface
Accommodates Poly-Vance
Cutting Boards & Sink Covers

CONSTRUCTION:

All TIG welded.

Welded areas blended to match adjacent surfaces and to a satin finish.

MATERIALS:

Spec-Line (94 Series): 14 gauge type 304 stainless steel
11" High Splash.

Standard (93 Series): 16 gauge type 304 stainless steel
8" High Splash.

Super Saver (9 Series): 18 gauge type 304 stainless steel
8" High Splash.

- LEGS:**
- 1 5/8" diameter tubular stainless steel.
 - Stainless steel gussets.
 - Stainless Steel 1" adjustable bullet feet.

FEATURES:

Tile edge for ease of installation.

One piece **Deep Drawn** sink bowls with integral drainboards with splash.

All sink bowls have a large liberal 3" radius.

"94" Series is supplied with adjustable front and side cross braces featuring leg clamps to secure left to right cross bracing.

"93" & "9" Series is supplied with adjustable side cross braces featuring leg clamps to secure left to right cross bracing.

Bowl Size	O.A. Length	DRBBD. Size	SPEC-LINE 94 Series		STANDARD 93 Series		SUPER SAVER 9 Series		Cu. Ft.
			Model #	WT.	Model #	WT.	Model #	WT.	
16" x 20"	91"	18"	14 Ga. 304 S/S 14" Water Level		16 Ga. 304 S/S 12" Water Level		18 Ga. 304 S/S 12" Water Level		
	103"	24"	94-3-54-18RL	230 lbs.	93-3-54-18RL	189 lbs.	9-3-54-18RL	182 lbs.	49
	127"	36"*	94-3-54-24RL	248 lbs.	93-3-54-24RL	197 lbs.	9-3-54-24RL	190 lbs.	55
20" x 20"	103"	18"	94-3-54-36RL	275 lbs.	93-3-54-36RL	239 lbs.	9-3-54-36RL	208 lbs.	96
	115"	24"	94-23-60-18RL	248 lbs.	93-23-60-18RL	203 lbs.	9-23-60-18RL	198 lbs.	59
	139"	36"*	94-23-60-24RL	276 lbs.	93-23-60-24RL	220 lbs.	9-23-60-24RL	195 lbs.	65
18" x 24"	97"	18"	94-23-60-36RL	408 lbs.	93-23-60-36RL	387 lbs.	9-23-60-36RL	364 lbs.	89
	109"	24"	94-63-54-18RL	323 lbs.	93-63-54-18RL	289 lbs.	9-63-54-18RL	226 lbs.	62
	133"	36"*	94-63-54-24RL	334 lbs.	93-63-54-24RL	304 lbs.	9-63-54-24RL	233 lbs.	85
24" x 24"	113"	36"*	94-63-54-36RL	418 lbs.	93-63-54-36RL	367 lbs.	9-63-54-36RL	325 lbs.	96
	127"	24"	94-43-72-24RL	390 lbs.	93-43-72-24RL	331 lbs.	9-43-72-24RL	318 lbs.	98
	151"	36"*	94-43-72-36RL	448 lbs.	93-43-72-36RL	393 lbs.	9-43-72-36RL	345 lbs.	110
20" x 28"	103"	18"	94-83-60-18RL	358 lbs.	93-83-60-18RL	315 lbs.	9-83-60-18RL	277 lbs.	83
	115"	24"	94-83-60-24RL	394 lbs.	93-83-60-24RL	346 lbs.	9-83-60-24RL	305 lbs.	95
	139"	36"*	94-83-60-36RL	451 lbs.	93-83-60-36RL	398 lbs.	9-83-60-36RL	350 lbs.	109

* Regalines with 36" Drainboards are Supplied with Two Additional Legs (per drainboard) for Support.

† Requires Two Faucets

Weights & Cubes Are Approximate

Customer Service Available To Assist You 1-800-645-3166 8:30 am - 7:00 pm E.S.T.



For Orders & Customer Service:

Email: customer@advancetabco.com or Fax: 631-242-6900

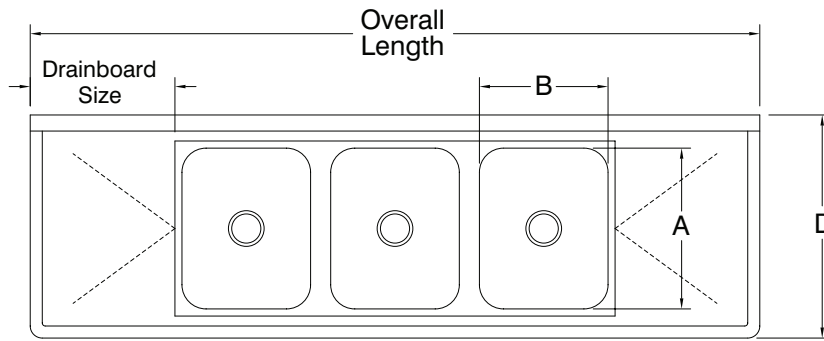
For Smart Fabrication™ Quotes:

Email: smartfab@advancetabco.com or Fax: 631-586-2933

DIMENSIONS and SPECIFICATIONS

TOL Overall: ± .500"
Interior: ± .250"

ALL DIMENSIONS ARE TYPICAL



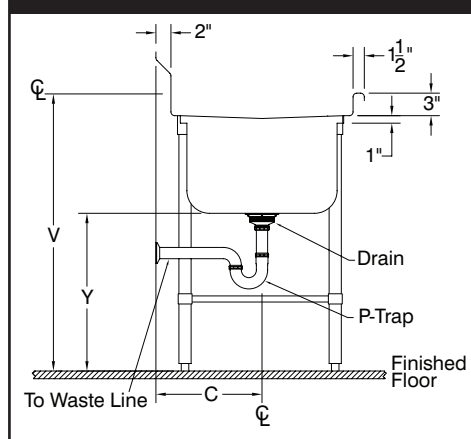
DESCRIPTION

DESCRIPTION								94 SERIES					9 & 93 SERIES				
BOWL SIZE	Overall Length	DRBD SIZE	Recommended Use	A	B	C	D	V	W	X	Y	Z	V	W	X	Y	Z
16"x20"	91" 103" 127"	18" 24" *36"	DISH SINKS	20"	16"	14 1/8"	28"	38"	11"	14"	19"	45"	38"	8"	12"	21"	42"
20"x20"	103" 115" 139"	18" 24" *36"	DISH & POT SINKS	20"	20"	14 1/8"	28"	38"	11"	14"	19"	45"	38"	8"	12"	21"	42"
18"x24"	97" 109" 133"	18" 24" *36"	POT & PAN SINKS	24"	18"	16 1/8"	32"	38"	11"	14"	19"	45"	38"	8"	12"	21"	42"
24"x24"	†127" †151"	24" *36"	POT SINKS	24"	24"	16 1/8"	32"	38"	11"	14"	19"	45"	38"	8"	12"	21"	42"
20"x28"	103" 115" 139"	18" 24" *36"	PAN SINKS	28"	20"	18 1/8"	36"	38"	11"	14"	19"	45"	38"	8"	12"	21"	42"

† Requires Two Faucets

* Regalines with 36" Drainboards are Supplied with Two Additional Legs (per drainboard) for Support.

PLUMBING ROUGH-IN



MECHANICAL:

- Supply is 1/2" IPS hot & cold.
- Faucet holes on 8" centers.
- Faucets are not included (see accessories).
- Waste drains are 1 1/2" IPS S/S basket type, located in center of sink bowl, and are included.



SECTION

