



Project _____

Item # _____

Quantity _____

Panini Grills

Models: PG14G-1
PG14F-1
PG14FG-1

The Hatco Panini Grill is designed to help you expand your menu and boost your sales. It features grooved or flat surfaces to accommodate all your grilling needs, making it perfect for preparing a variety of dishes, from sandwiches and quesadillas to chicken and steak. With this versatile grill, you can easily cook a wide range of items right on your countertop, eliminating the need for a dedicated grill space. The digital controls for time and temperature make it simple to use, making it a fantastic addition to any kitchen setup.

Standard features

- Adjustable time/temperature controls allow the operator to set the precise temperature for the right amount of time
- Exclusive heating elements provide exceptional heat distribution throughout the entire grill plate (top and bottom), ensuring even cooking
- Compact design is suitable for any location, and the easy-to-clean stainless steel frame and aluminum grill plates provide durability
- Self-adjusting top grill plate has the ability to grill food products of different thickness and size. Maximum product thickness is 3" (75 mm)
- Maximum temperature of 500°F (260°C)
- Comes with a scraper and removable crumb tray for easy clean up between uses



Accessories

Scraper



For operation, location and safety information, please refer to the Installation and Operating Manual.



HATCO CORPORATION

P.O. Box 340500 Milwaukee, WI 53234-0500 U.S.A. | (414) 671-6350



www.hatcocorp.com

support@hatcocorp.com

[Find a Hatco Rep](#)

[Image Library](#)

[Document Library](#)

[Patents](#)

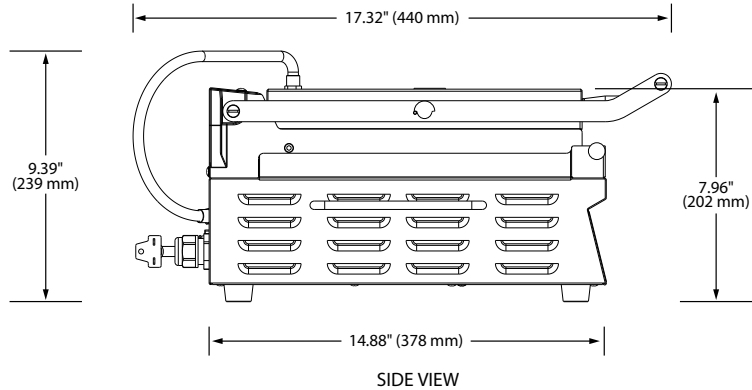
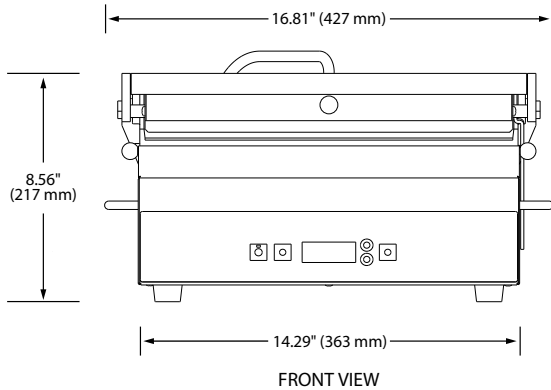
[Chat](#)



Panini Grills

Models: PG14G-1 ; PG14F-1 ; PG14FG-1

PG14G-1
PG14F-1
PG14FG-1



SPECIFICATIONS

Panini Grills

The shaded areas contain electrical information for International models

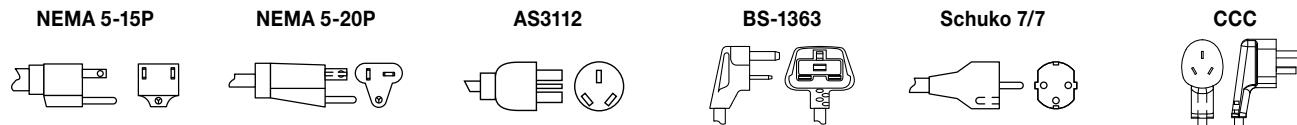
Model	Plate Description		Dimensions (W x D x H)	Voltage	Watts	Amps	Hz	Plug	Approx. Ship Weight
	Bottom Plate	Top Plate							
PG14G-1	Grooved	Grooved	16.81" x 17.32" x 8.56" (427 x 440 x 217 mm)	120	1800	15	50-60	NEMA 5-15P or NEMA 5-20P*	23 lbs. (11 kg)
				220	1610	7.3	50-60	Schuko, BS-1363, AS3112 and CCC	
				230	1760	7.7			
				240	1920	8			
				220/60	1610	7.3	60	BS	
PG14F-1	Flat	Flat	16.81" x 17.32" x 8.56" (427 x 440 x 217 mm)	120	1800	15	50-60	NEMA 5-15P or NEMA 5-20P*	23 lbs. (11 kg)
				220	1610	7.3	50-60	Schuko, BS-1363, AS3112 and CCC	
				230	1760	7.7			
				240	1920	8			
				220/60	1610	7.3	60	BS	
PG14FG-1	Flat	Grooved	16.81" x 17.32" x 8.56" (427 x 440 x 217 mm)	120	1800	15	50-60	NEMA 5-15P or NEMA 5-20P*	23 lbs. (11 kg)
				220	1610	7.3	50-60	Schuko, BS-1363, AS3112 and CCC	
				230	1760	7.7			
				240	1920	8			
				220/60	1610	7.3	60	BS	

* Canadian models use NEMA 5-20P.

CORD LOCATION

Back of unit bottom left-hand side.

PLUG CONFIGURATIONS



PRODUCT SPECS

Panini Grills

The Panini Grill shall be Model ... as distributed for the Hatco Corporation, Milwaukee, WI 53234 U.S.A.

The Panini Grill shall be rated at ... watts, ... volts, and be ... inches (millimeters) in overall width.

It shall consist of easy-to-clean stainless steel frame and aluminum cooking plates.

The Panini Grill features a Power I/O (on/off) switch on the back, a multi-function control panel and a top plate adjustable knob. All units are equipped with a factory attached 6' (1829 mm) power cord and plug. Accessories include a scraper.

Warranty consists of 24/7 parts and service assistance (US and Canada only).

HATCO CORPORATION

P.O. Box 340500 Milwaukee, WI 53234-0500 U.S.A. | (414) 671-6350



www.hatcocorp.com

support@hatcocorp.com

[Find a Hatco Rep](#)

[Image Library](#)

[Document Library](#)

[Patents](#)

[Chat](#)