



Project \_\_\_\_\_  
 AIA # \_\_\_\_\_ SIS # \_\_\_\_\_  
 Item # \_\_\_\_\_ Quantity \_\_\_\_\_ C.S.I. Section 114000



HS SLICER SERIES – HS8/HS8N

## HS8/HS8N Manual Heavy-Duty Slicer



### MODELS

- HS8** Manual slicer with removable knife\*
- HS8N** Manual slicer with non-removable knife
- HS8N-HV50C** High voltage manual slicer with non-removable knife
- HS8N-HV60C** High voltage manual slicer with non-removable knife

### STANDARD FEATURES

Features in bold are exclusive to Hobart

- + ½ HP knife drive motor
- + **13" CleanCut™ knife with cobalt alloy edge**
- + **Zero knife exposure**
- + **Removable knife option\***
- + **Top-mounted Borazon® sharpening system**
- + **Tilting and removable carriage system**
- + **Double-action indexing system**
- + Six interlocks

### ACCESSORIES (Available at extra cost)

- + Full fence
- + Food chute
- + Debris deflector

### SPECIFIER STATEMENT

Specified slicer will be an NSF rated heavy-duty manual HS slicer with a patented removable knife option and 13" CleanCut™ knife. CleanCut™ knife with cobalt alloy edge increases yield and improves slice quality. Slicer offers zero knife exposure, removable ring guard cover and a stainless steel knife cover. Base is constructed from sanitary anodized aluminum to limit crevices and allow for easy cleanup. Features ½ HP knife drive motor, no-volt release and a tilting, removable carriage system which provides complete access for deep cleaning.

Approved by \_\_\_\_\_ Date \_\_\_\_\_ Approved by \_\_\_\_\_ Date \_\_\_\_\_

### SOLUTIONS / BENEFITS

#### PERFORMANCE

##### 13" CleanCut™ Knife

- + Super alloy edge stays sharp longer
- + Lasts 2 to 3 times longer than carbon coated or stainless steel knives.

##### Machined Grooves on Gauge Plate and Knife Cover

- + Reduces drag for smooth slicing motion

##### Double-Action Indexing Cam

- + First full revolution of the indexing knob provides precise control of shaving, chipping and thin slicing
- + Second revolution opens the gauge plate quickly for thicker slicing
- + Gauge plate holds position for consistent, precision slicing

##### ½ HP Knife Drive Motor

- + The power needed to slice cheese and meat with no shredding

##### Top-Mounted Borazon® Sharpening System

- + Hones in 15 seconds

#### EASE OF USE

##### Lift Assist

- + Helps user get underneath slicer to clean

##### Removable Meat Grip Assembly

- + Opens for unobstructed loading

##### Tilting and Removable Carriage

- + Makes it easy to keep slicer clean and sanitary

##### Magnetically Secured Knife Cover

- + No loose or moving parts make operation easier

##### Top-Mounted Borazon® Sharpening System

- + Single action sharpener makes it easier for the user to operate

#### SANITATION & CLEANING

##### Sanitary One-Piece Base

- + Has fewer crevices where bacteria may grow
- + Available in anodized aluminum

##### Lift Assist

- + Makes it easy to clean underneath the slicer, saving time

##### Patented Removable Ring Guard Cover

- + Prevents debris build-up around the blade

##### Patented Removable Knife

- + Removes easily and cleans in sink or dishwasher

##### Tilting and Removable Carriage

- + Makes it easy to keep slicer clean and sanitary

##### Removable Meat Grip Assembly

- + Dishwasher safe

##### Top-Mounted Borazon® Sharpening System

- + Removes for easy cleaning

#### OPERATOR ASSURANCE

##### Zero Knife Exposure

- + Operator is protected while sharpening and cleaning

##### Top-Mounted Borazon® Sharpening System

- + Operator is protected during knife sharpening

##### Patented Removable Knife

- + Removes easily and cleans in sink or dishwasher

##### Magnetically Secured Knife Cover

- + No loose or moving parts make operation easier

##### Patented Removable Ring Guard Cover

- + Provides extra protection for operator

#### Six Interlocks

##### 1. No Volt Release (NVR)

- + Ensures slicer will not automatically turn on if power is lost

##### 2. Gauge Plate Interlock

- + Gauge plate must be closed and product tray in home position before the carriage arm can be removed

##### 3. 30-Second Shut Off

- + Slicer automatically shuts off after 30 seconds of non-use

##### 4. Close to Stop

- + Slicer turns off when gauge plate is closed

##### 5. Home to Start

- + Slicer will not turn on until carriage is in home position

##### 6. Carriage System Interlock

- + Will not tilt away or remove if gauge plate is not closed



**SPECIFICATIONS**

**Motor:** ½ HP knife drive motor, knife is driven by a Hobart Poly V-Belt and runs at 430 RPM for optimal performance.

**Electrical:**

**HS8/HS8N** – 120/60/1; 5.4 amps

**HS8-HV50C** – 220-240/50/1; 2.8 amps

**HS8-HV60C** – 220-240/60/1; 2.8 amps

**Controls:** Moisture protected push button switch.

**Cord and Plug:** 6 foot, three-wire power supply cord and plug. Plug not furnished on export models.

**Construction:** One-piece, sanitary anodized aluminum base. Fewer places to harbor debris; limits crevices or holes in which food can lodge. Product tray and gauge plate also anodized aluminum. Stainless steel top cover.

**Capacity:** The carriage will take food up to 5.75" x 10.75" rectangle or 7.5" in diameter.

**Gauge Plate:** Gauge plate is a heavy aluminum extrusion with machined grooves for smooth feeding. Adjustable to cut any thickness of slice up to 1".

**Knife:** The knife is approximately 13", constructed of 304L stainless steel and high performance Stellite alloy. Knife cover is retained magnetically, and is quickly removed by pulling straight back on the top cover knob.


**Removable Ring Guard Cover:** Fits on top of ring guard to catch food debris. When removed, reveals a 0.12" space between knife and guard for easier flossing. Ring guard is made with Zytel™ plastic and can be washed in warewasher or three compartment sink.

**Top-Mounted Borazon® Sharpening System:** Single action operation utilizing two Borazon® stones to sharpen and hone in five seconds. Removable, top mounted and warewasher safe. When sharpener is removed for cleaning, knife edge is completely shielded. Borazon® stones have a lifetime guarantee.

**Warranty:** All parts and service coverage for one year including knife. Lifetime guarantee on Borazon® stones in the sharpening system.

**Shipping Weight:** 132 lb.

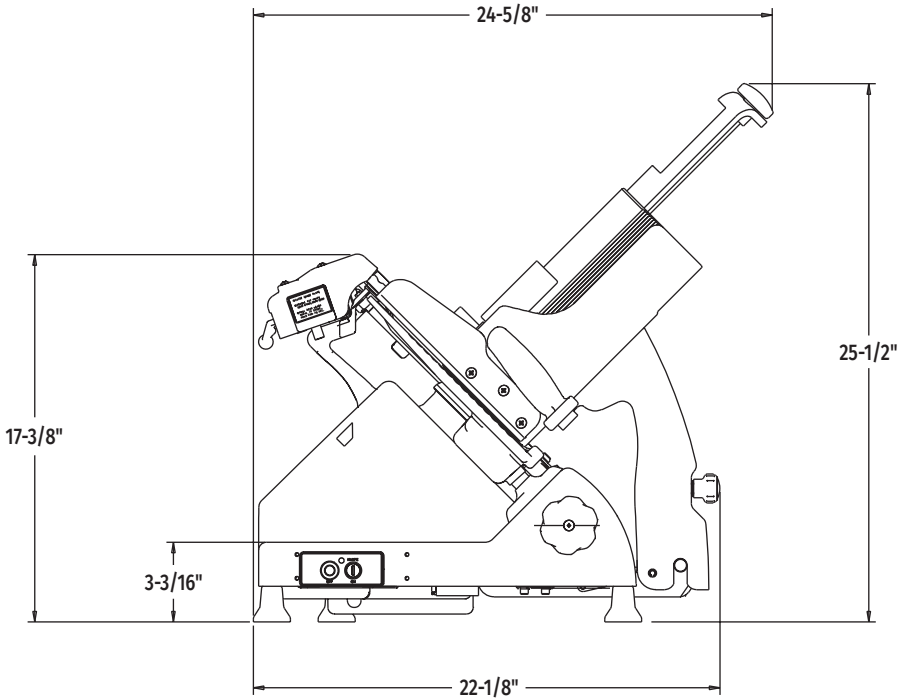
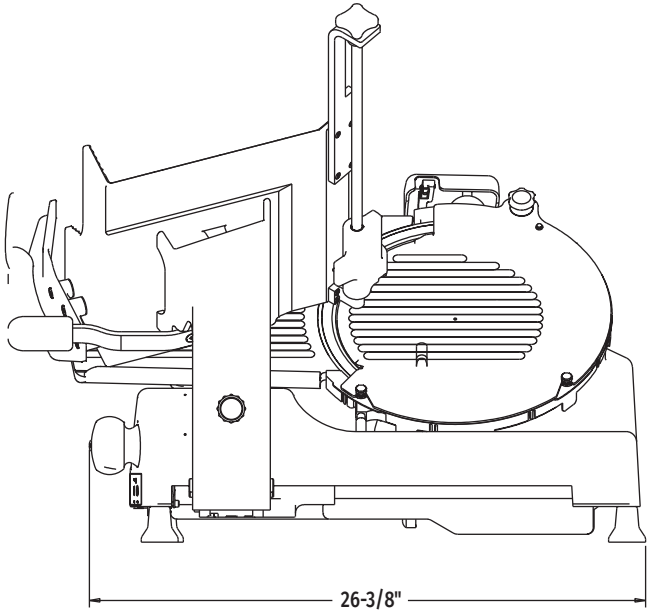
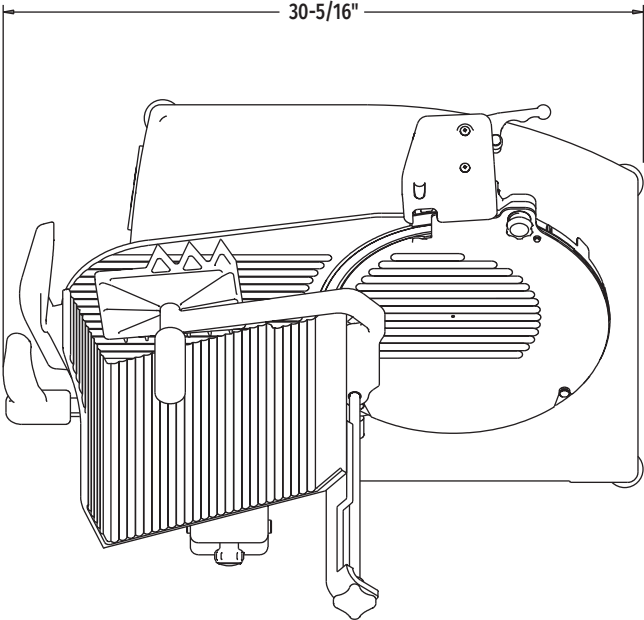
**Plugs and Receptacles Dependent on Local Power Codes**

	Machine Voltages	
	120/60/1	220-240/50/1 220-240/60/1
<b>Service Current Requirement if Plug Connected</b>	15 Amp.	
<b>Terminal Designation of Plug</b>	2 Pole 3 Wire Grounding	
<b>NEMA Plug Configuration</b>	5-15P	
<b>Plug Configuration</b>		
<b>Molded Plug on Cord</b>	Yes	No
<b>Plug – Straight/Angle</b>	Straight	
<b>NEMA Receptacle or Connector Configuration</b>	5-15R	
<b>Power Cord Included</b>	Yes	Yes



# HS8/HS8N Manual Heavy-Duty Slicer

## DETAILS AND DIMENSIONS



As continued product improvement is a policy of Hobart, specifications are subject to change without notice.

CAD and/or Revit Files Available