

"UBSMH" UNDERBAR SODA GUN HOLDER

18" Width or 21" Width

FEATURES:

- 18GA Stainless Steel Construction
- Type 300 Stainless Steel With #4 Polish, Satin Finish
- Standard Pre-Drilled Holes On Sides For Attaching Adjacent Units Together
- Removable Top
- Internal Holder For Soda Gun Manifold

SPECIFICATIONS:

- Top: 18GA Type 300 Stainless Steel
- Sides: 18GA Type 300 Stainless Steel
- Keyhole Slot On Back
- Bolt To Adjacent Underbar Piece

CERTIFICATIONS:



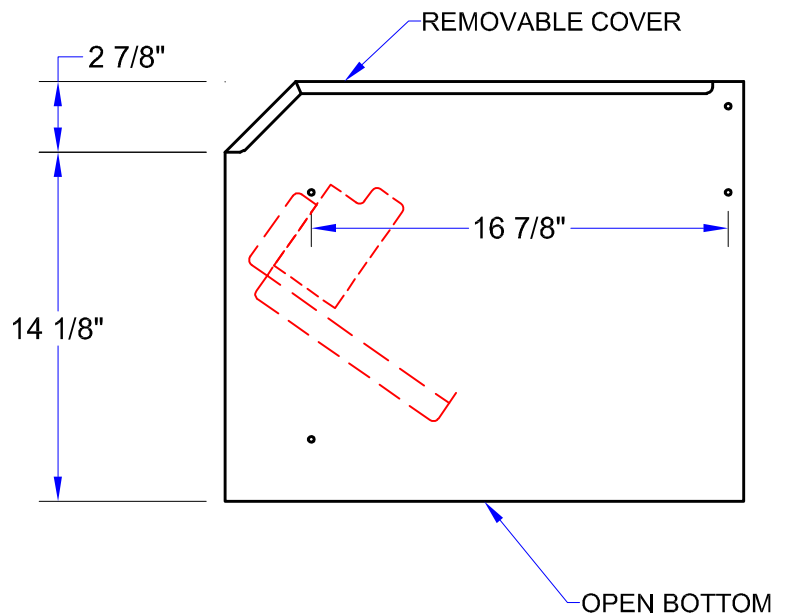
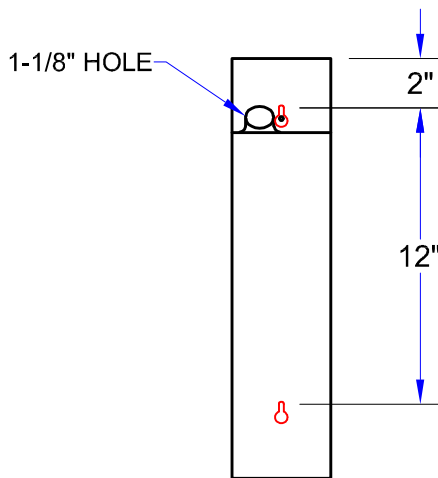
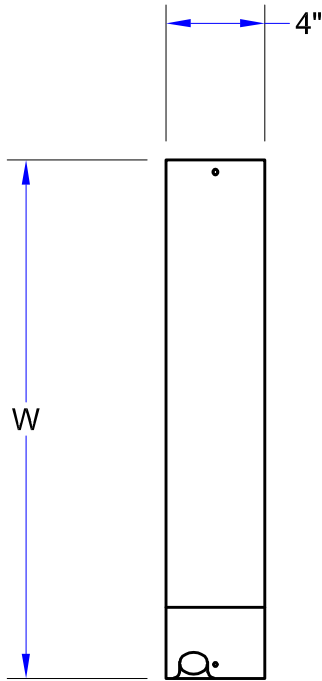
UBSMH-2104

"UBSMH" SODA GUN HOLDER

MODEL	SIZE (LXWXH)	WEIGHT (LBS)
UBSMH-1804	4"x18"x17"	17
UBSMH-2104	4"x21"x17"	18

ALL DIMENSIONS ARE TYPICAL. TOLERANCE +/- .500". JOHN BOOS & CO. RESERVES THE RIGHT TO CHANGE SPECIFICATIONS WITHOUT NOTICE.

DETAILED SPECIFICATIONS



"UBSMH" SODA GUN HOLDER

MODEL	SIZE (LXWXH)	WEIGHT (LBS)
UBSMH-1804	4"x18"x17"	17
UBSMH-2104	4"x21"x17"	18

ALL DIMENSIONS ARE TYPICAL. TOLERANCE +/- .500". JOHN BOOS & CO. RESERVES THE RIGHT TO CHANGE SPECIFICATIONS WITHOUT NOTICE.