



DELUXE SERIES DRAWERS



Item #: _____ Qty #: _____
 Model #: _____
 Project #: _____

- Stainless Steel Front
- Ball Bearing Slides
- Removable Insert

DELUXE DRAWER ACCESSORIES
Padlockable Drawer Lock TA-13
 (Does not include lock. Fits padlocks up to 3/8" Dia. lock shaft)
Keyed Drawer Lock TA-14
 (Does not apply to Budget Drawers)
Drawer Adapter/Non Catalog Tables
 (Specify table width) TA-90

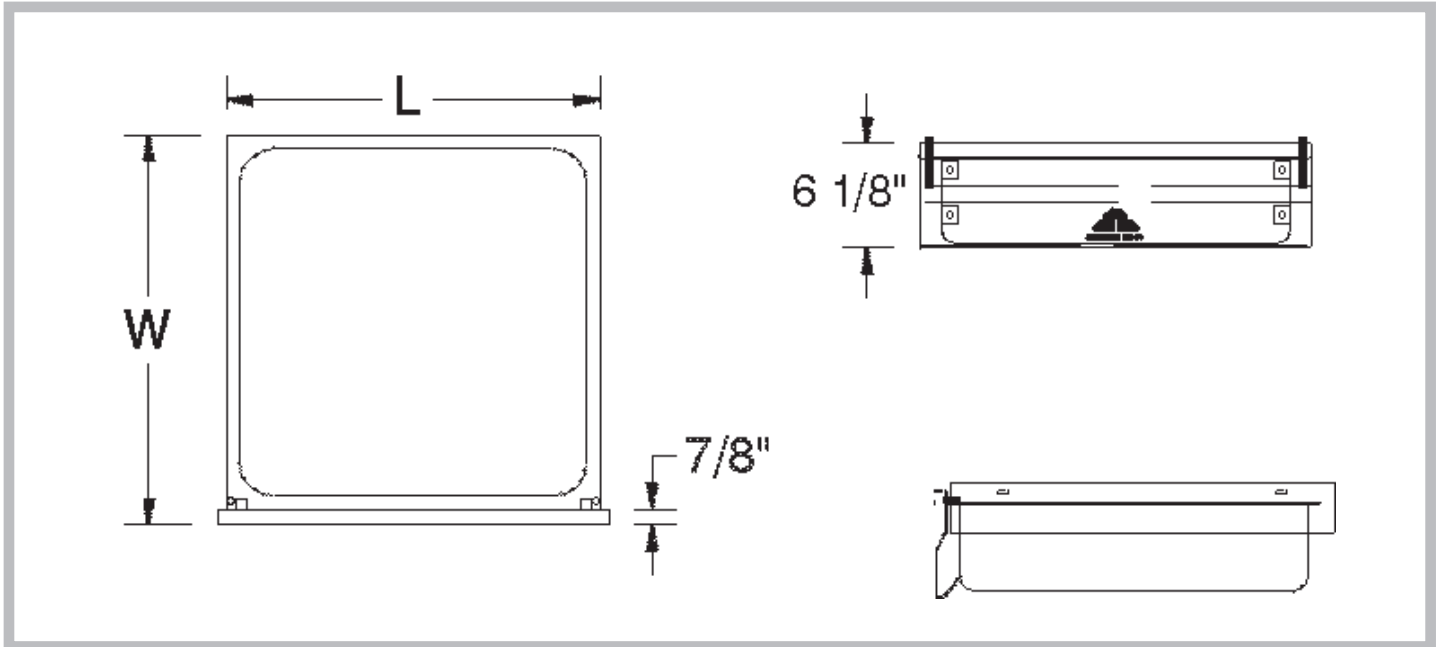
Insert Size L x W x D	All Stainless Steel	All Stainless Steel with Keyed Lock
	Model #	Model #
20" x 15" x 5"	SS-2015	SS-2015-DL
15 x 20" x 5"	SS-1520	SS-1520-DL
20 x 20" x 5"	SS-2020	SS-2020-DL

**NOTE: The Following Drawers will Not fit on 24" Tables:
 SS-1520, SS-2020**

DETAILS and SPECIFICATIONS

TOL ± .500"

ALL DIMENSIONS ARE TYPICAL



**NOTE: The Following Drawers will Not fit on 24" Tables:
 FG-1520, FS-1520, FG-2020, FS-2020**



Customer Service Available To Assist You 1-800-645-3166 8:30 am - 7:00 pm E.S.T.

For Orders & Customer Service:
 Email: customer@advancetabco.com or Fax: 631-242-6900

For Smart Fabrication™ Quotes:
 Email: smartfab@advancetabco.com or Fax: 631-586-2933