

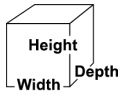
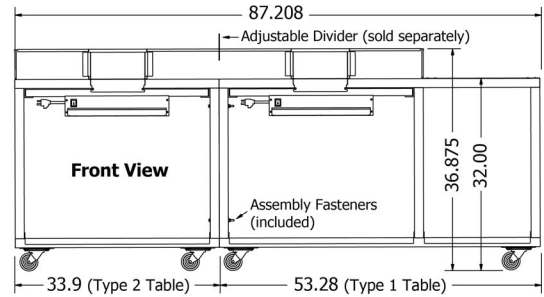
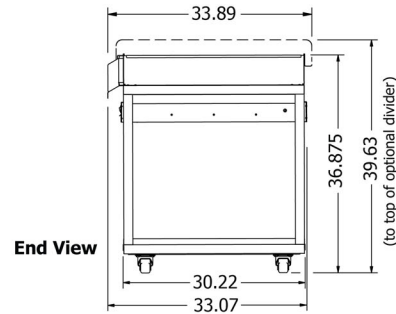
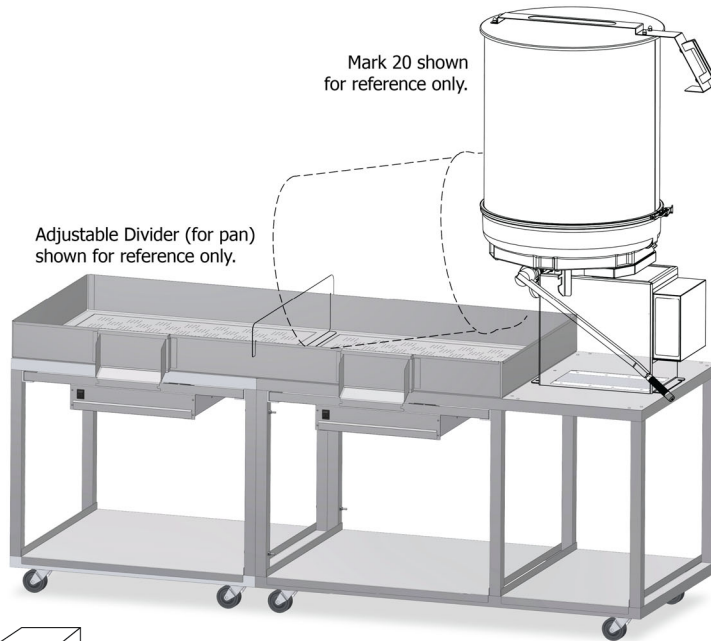


GOLD MEDAL® PRODUCTS CO.

Single Karmel Kool System (Mark 10/20)

Model No. 2622-00-110 (wTwin Cooling Units)

Specifications



Model includes two Cooling Units. Cooker and Pan Divider are shown for reference only (sold separately).

Overall Dimensions:

Width: 87.208" (221.5 cm)

Depth: 33.07" (84 cm)

Height: 36.875" (93.7 cm)

See image above for dim. references.

Electrical/Plug specs shown below: are for **each** Cooling Unit included (**each** Cooling Unit has a 15 AMP plug).

Electrical - Domestic /Cooling Unit

120V

300 WATTS 60 Hz

(NEMA 5-15P) Plug

Plug Type:



NEMA 5-15P

Agency Approvals:



Features:

- Type 1 & Type 2 Table (w/casters); (2) Large Shelves; Small Shelf; Large Cooker Plate.
- 60" Pan (includes chute doors). Optional Divider for pan (PN 105099) is available (sold separately).
- (2) **2858 Series** Cooling Units—integrated forced air cooling systems with replaceable air filter and a **15 AMP plug/unit** (refer to unit Spec Sheet for add'l specs).
- (2) Cooling Inserts (screens).
- Stainless steel parts construction; aluminum frame
- **Modular System** (packed separately for easier shipping/unloading).
 - Crated modules movable with pallet jack.
 - Fits standard size doorways (reference module dimensions shown above; pan is removable).
 - Module assembly req'd by customer (fasteners incl.)

Cooker Specifications:

- **Table fits:** (1) Mark 10 or Mark 20 Corn Treat Unit (sold separately); Mark 20 requires a 60" pan.
- Refer to the Cooker Spec Sheet for unit specs/approvals.



Gold Medal Products Co.
10700 Medallion Drive, Cincinnati, OH 45241

Ph: (513) 769-7676, (800) 543-0862; Fax: (513) 769-8500
gmpopcorn.com info@gmpopcorn.com