

Champion[®]

The Dishwashing Machine Specialists

PROJECT: _____

ITEM # _____ QTY: _____

MODEL # _____

AIA # _____ SIS # _____

CG4 / CG6

GLASSWASHERS PASS THROUGH SERIES



Rendered image is for general visual representation only. Please refer to specifications for the latest detailed product information.

OPTIONS & ACCESSORIES

- CG47 Drain Tray and Waste Collector
- CG12 SST Splash Guards (CG4)
- CG24 SST Splash Guards (CG6)
- CG48 SST Back Panel (CG4)
- CG72 SST Back Panel (CG6)
- Kit 264 Washdown Hose
- Kit 332 Casters, set of 4, 2 locking, 2 regular

STANDARD FEATURES

- **Three Built-In Chemical Dispensing Pumps**
- **Electric Tank Heater**
- **Built-In Controls**
- **Upper And Lower Wash And Rinse Spray System**
- **Stainless Steel Wash And Rinse Chamber**
- **Polypropylene Conveyor**
- **Right-To-Left Or Left-To-Right Operation**
- **Two Splash Curtains**



SPECIFIER STATEMENT

Specified unit will be Champion model CG4 or CG6 pass-through conveyor type glasswasher. Features include detergent, sanitizer and rinse aid pump, upper & lower wash/rinse arms, cold water final rinse polypropylene conveyor, two splash curtains, processes 2,000 glasses/hr.

1 year parts, 90 day labor warranty.

In the USA:
3765 Champion Blvd, Winston-Salem, NC 27105
Tel: (336) 661-1556 Fax: (336) 661-1979
www.championindustries.com

SPECIFICATIONS

Capacities (hr)	
2-1/2" glasses/hr.	2000
Water Consumption	
Cold Water (approx.)	2.6 gpm
Hot Water (initial fill)	3 Gal
(Max. use – approx. 10 gph)	
Temperature °F	
Inlet water (hot) min/max	145-160
Inlet water (cold)	75
Heating	
Tank heat, electric, (kW)	3
Clearance	
Through machine (inches)	10-1/4"
Conveyor Speed	
Inches per minute	14

	Uncrated		Crated	
	CG4	CG6	CG4	CG6
Height*	38-1/2"	38-1/2"	49"	49"
Width	48"	72"	63"	76-1/2"
Depth	22"	22"	27-1/2"	27-1/2"
Ship Wt. LBS.	225	285	255	325

*Adjustable foot height 1-3/4"

Warning: Plumbing, electrical connections should be made by qualified personnel who will observe all the applicable plumbing, sanitary and safety codes and the National Electrical Code.

Note: CG4/CG6 models supplied with 4 ft. plug-in cord (NEMA 6-15P).

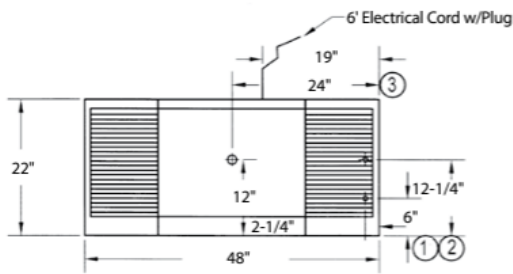
Utilities

	Electrical 208-230/60/1, 15 AMP
1	Hot Water 1/2" IPS. Flow pressure 25-95 psi
2	Cold Water 1/2" IPS. Flow pressure 25-95 psi
3	Drain 1-1/2" tailpiece. Connect to drain size according to local plumbing code.

Plumbing Notes: Because of the variation in house-supplied steam and water pressures, steam and water pressure regulating valves (PRVs) may be needed. (Water PRV is standard on machines with booster.) The PRVs can either be purchased from Champion or obtained locally.

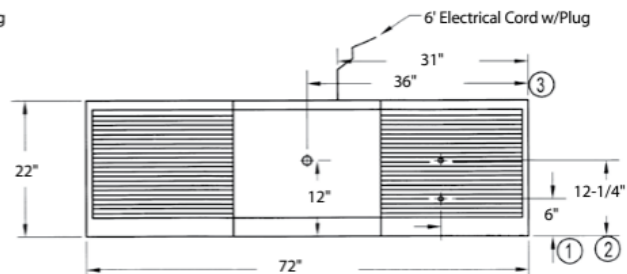
Champion does not endorse using on-demand (tankless) water heating systems, as well as PEX and other plumbing materials that may limit water flow, as these could impair machine performance. For optimal results, we recommend using appropriately sized conventional hot water tanks and standard copper water supply lines that adhere to our specifications. Not following these recommendations may void the manufacturer's warranty. Water hardness of 3 grains/US Gal (0.83 Imp Gal) - 5.3 Mg/L or less

CG4

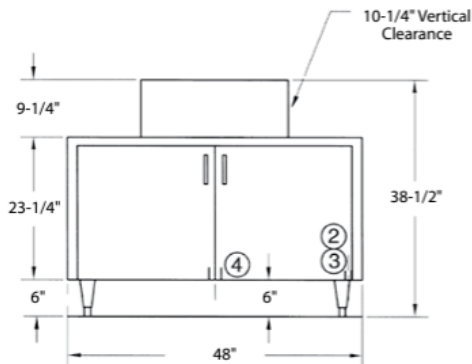


Plan View

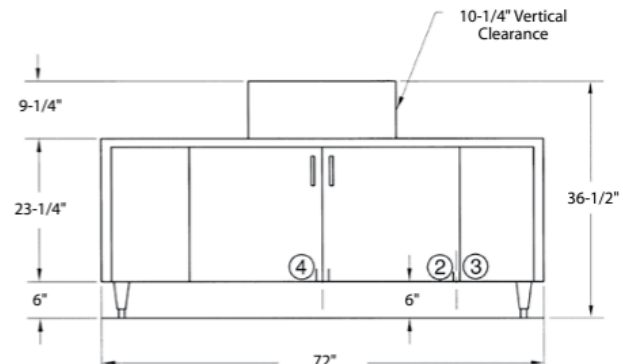
CG6



Plan View



Front View



Front View

Note: Both Doors 21-1/2" High 22" Wide