

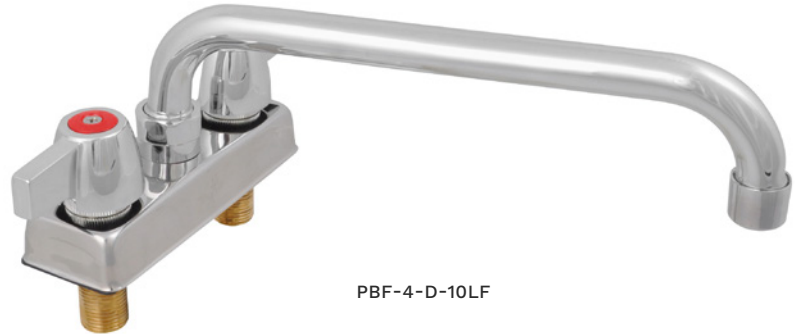
"PBF-4-D-10LF" ECONOMY FAUCETS

Low-Lead, Deckmount w/Swing Spout, 4" O.C.

FEATURES:

- Economy Faucet
- Splash Mount - 4" O.C.
- Low-Lead Construction
- 10" Swing Spout

CERTIFICATIONS:



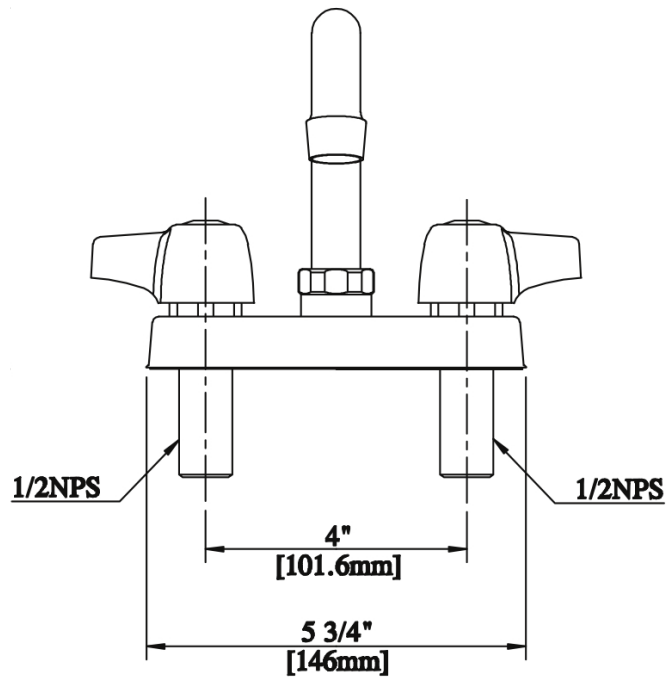
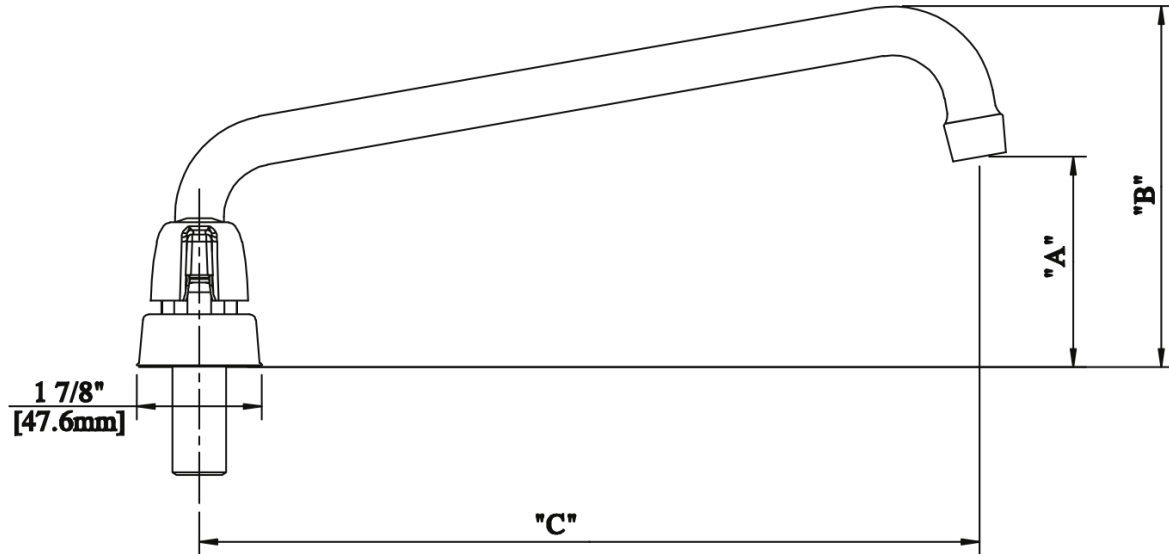
PBF-4-D-10LF

"PBF-4-D-10LF" LOW-LEAD ECONOMY FAUCETS

MODEL	DESCRIPTION	A	B	C	WEIGHT (LBS)
PBF-4-D-10LF	4" Centers, 10" Swing Nozzle, w/1/2" NPT	2.69"	4.88"	10"	6

ALL DIMENSIONS ARE TYPICAL. TOLERANCE +/- .500". JOHN BOOS & CO. RESERVES THE RIGHT TO CHANGE SPECIFICATIONS WITHOUT NOTICE.

DETAILED SPECIFICATIONS



"PBF-4-D-10LF" LOW-LEAD ECONOMY FAUCETS

MODEL	DESCRIPTION	A	B	C	WEIGHT (LBS)
PBF-4-D-10LF	4" Centers, 10" Swing Nozzle, w/1/2" NPT	2.69"	4.88"	10"	6

ALL DIMENSIONS ARE TYPICAL. TOLERANCE +/- .500". JOHN BOOS & CO. RESERVES THE RIGHT TO CHANGE SPECIFICATIONS WITHOUT NOTICE.