

Standard Features

FRAME: Featuring frameless construction utilizing 16 gauge stainless steel formed end panels with top and bottom horizontal members of 16 gauge stainless steel.

CASTERS: Heavy duty 5" diameter plate casters with gray rubber tires. Brake models to be supplied on all casters.

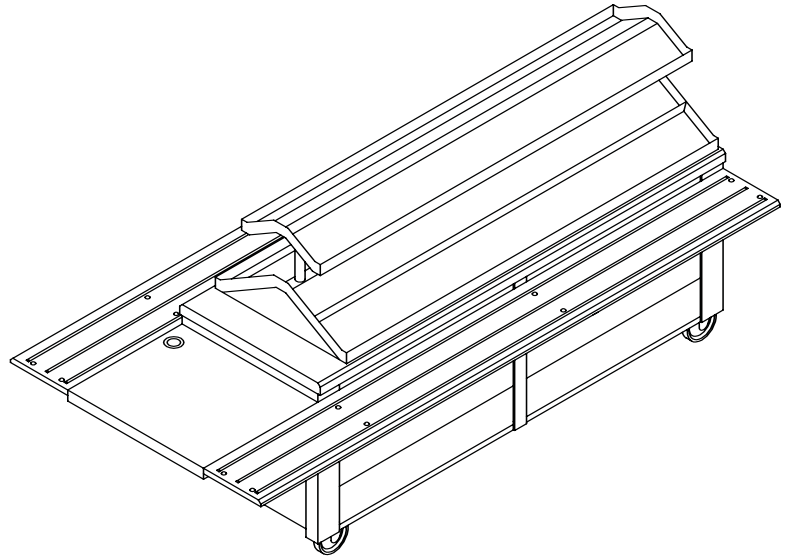
TOP: 14 gauge stainless steel with 2" turndown on all sides and sound deadening applied between top and frame.

FRONT BODY PANEL: Plastic laminate or stainless steel panels.

CONTROL PANEL: All switches to be centrally located in common control panel assembly.

INSULATED DRINK BIN: Insulated deep ice bin for cold drinks.

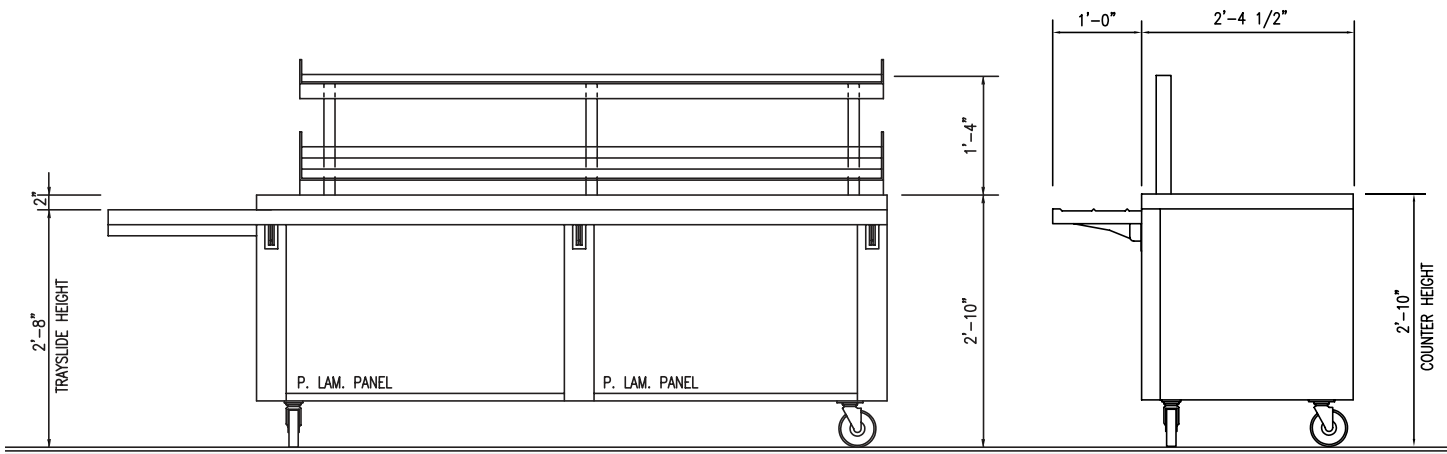
STAINLESS STEEL SPECIFICATION: All stainless steel to be type 304 with number 4 finish.



MODEL	LENGTH	WIDTH	HP	VOLTS	PHASE	AMPS	NEMA CORD/CAP	APPROX. SHIP WEIGHT
MCT-SNKS	105"	-	-	120	1	5.0	NEMA 5-20P	915 lbs



Mobile Snack Kiosk



Optional Features

TRAYSLIDE: Stainless steel or Corian® trayslide mounted on fold down brackets.

FRONT BODY PANEL: Ceramic tile front panels.

CANOPY: Canvas canopy



Mod-U-Serve reserves the right to modify specifications or discontinue models without notice or incurring obligation.



2320 Peyton Houston, Texas 77032

Phone 281-442-8001 Toll Free: 888-955-5463 Fax: 281-442-3351 www.mod-u-serve.com

MUS.23 11/05