

Model: _____ Item #: _____ Date: _____

Project: _____ Qty: _____ Approved By: _____

Model 18-708L Wall Mount Space Saver Pre-Rinse w/ 8" Add-On Faucet

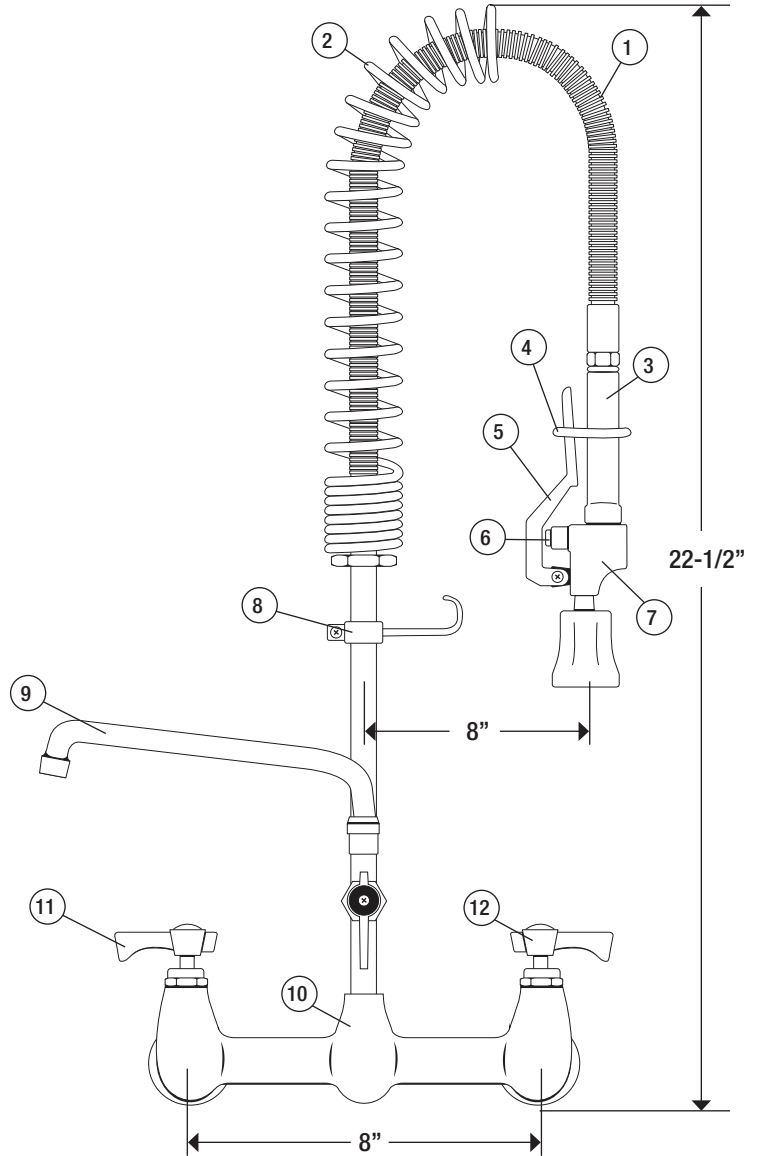


Standard Features

- Pre-assembled to cut installation time
- Interchangeable with T&S* and Encore*
- 1/4 Turn High Performance Ceramic Cartridge Valves
- 1.2 GPM Spray Head, 2.0 GPM faucet spout
- Built-In Check Valves
- Solid chrome plated brass base

Specifications

- Royal Series Space Saver Pre-Rinse Assembly
- Add-On Faucet with 8" Spout
- 1/2" NPT female inlets on 8" centers
- 22-1/2" high with 8" overhang
- 24" Hose with grip
- 8" Riser
- Low Lead Compliant



Replacement Parts

NO.	Item	Model #	NO.	Item	Model #
1	Space Saver Hose	21-181L	7	Complete Spray Head	21-129L
2	Space Saver Spring	21-163	8	Hook/Screw Assembly	21-165
3	Grip	21-164L	9	8" Add-On Faucet	21-149L
4	Ring	21-170	10	Deck Base	21-108L
5	Spray Head Handle	21-171	11	1/4 Turn Hot Ceramic Cartridge Valve	21-309L
6	Pre-Rinse Button	21-302L	12	1/4 Turn Cold Ceramic Cartridge Valve	21-308L



Certified to NSF/ANSI 61-G

*This product is not manufactured or authorized by any other manufacturer. Registered Trade Name or Mark of the original manufacturer of the product which this part fits, is not owned, associated or to be confused with our company.