

ITEM #: _____ QTY: _____
 MODEL #: _____
 PROJECT NAME: _____

053119

3601 S. Banker St. Effingham, IL 62401 • P.O. BOX 609 • Ph: (888) 431-2667 • Fax: (800) 433-2667

"OSP16FK" POT RACK MOUNTED SHELF

FEATURES:

- TYPE 300 STAINLESS STEEL WITH #4 POLISH, SATIN FINISH
- FINISHED WITH A SAFETY STALLION EDGE ON FRONT AND BACK
- 12" OR 18" DEPTH
- ATTACHES TO 1-5/8" POT RACK POST WITH GUSSET



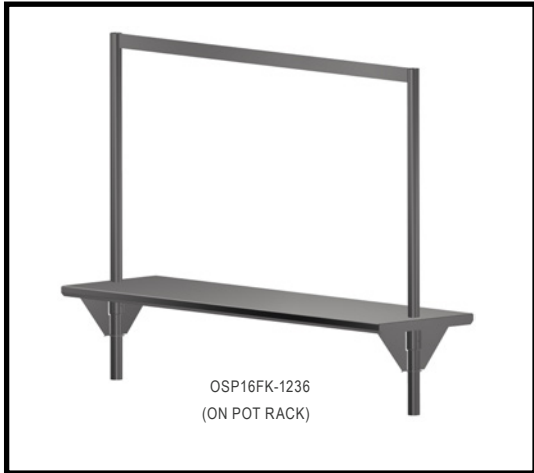
OSP16FK-1236

CONSTRUCTION:

- STAINLESS STEEL SHELVES ARE MIG WELDED
- EXPOSED WELDS ARE POLISHED TO MATCH ADJACENT SURFACE

MATERIAL:

- SHELF: 16 GAUGE TYPE 300 STAINLESS STEEL WITH #4 POLISH, SATIN FINISH
- BRACKETS: TYPE 300 STAINLESS STEEL WITH #4 POLISH, SATIN FINISH



OSP16FK-1236
(ON POT RACK)

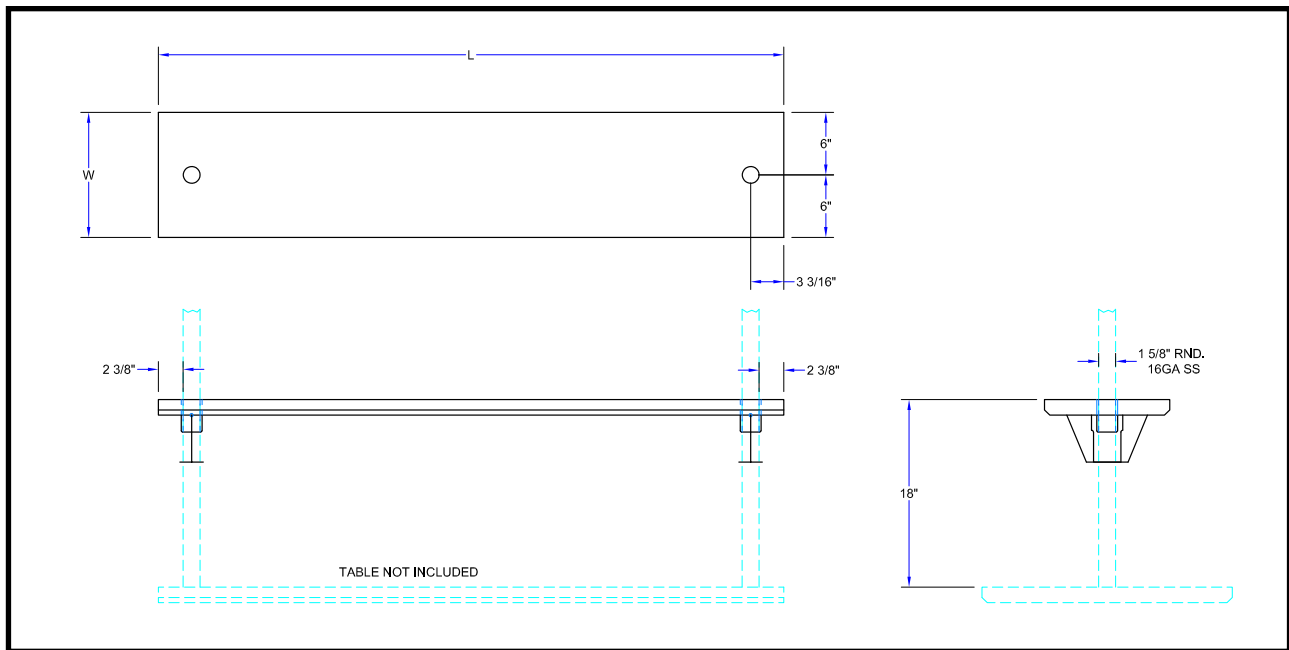
POT RACK SHELF - 12" DEPTH

MODEL #	QTY
OSP16FK-1236	
OSP16FK-1248	
OSP16FK-1260	
OSP16FK-1272	
OSP16FK-1284	
OSP16FK-1296	
OSP16FK-12108	
OSP16FK-12120	
OSP16FK-12132	
OSP16FK-12144	

POT RACK SHELF - 18" DEPTH

MODEL #	QTY
OSP16FK-1836	
OSP16FK-1848	
OSP16FK-1860	
OSP16FK-1872	
OSP16FK-1884	
OSP16FK-1896	
OSP16FK-18108	
OSP16FK-18120	
OSP16FK-18132	
OSP16FK-18144	

DETAILED SPECIFICATIONS



BOAT SHAPED POT RACKS - STAINLESS STEEL

MODEL #	L	W	WEIGHT (LBS)
OSP16FK-1236	36"	12"	19
OSP16FK-1248	48"	12"	23
OSP16FK-1260	60"	12"	27
OSP16FK-1272	72"	12"	31
OSP16FK-1284	84"	12"	38
OSP16FK-1296	96"	12"	42
OSP16FK-12108	108"	12"	47
OSP16FK-12120	120"	12"	51
OSP16FK-12132	132"	12"	55
OSP16FK-12144	144"	12"	59

BOAT SHAPED POT RACKS - STAINLESS STEEL

MODEL #	L	W	WEIGHT (LBS)
OSP16FK-1836	36"	18"	25
OSP16FK-1848	48"	18"	31
OSP16FK-1860	60"	18"	36
OSP16FK-1872	72"	18"	42
OSP16FK-1884	84"	18"	51
OSP16FK-1896	96"	18"	57
OSP16FK-18108	108"	18"	62
OSP16FK-18120	120"	18"	68
OSP16FK-18132	132"	18"	73
OSP16FK-18144	144"	18"	79

SOME UNITS SHIP UNASSEMBLED FOR REDUCED SHIPPING COST. ALL DIMENSIONS ARE TYPICAL. TOLERANCE +/- .500"

John Boos & Co. is constantly engaged in a program of improving products and therefore reserves the right to change specifications without prior notice.



3601 S. Banker St. • Effingham, IL 62401 • PO BOX 609 • quotes@johnboos.com

053119



www.johnboos.com

541