

36E-Series Heavy-Duty Range-Match Fryer

Project _____
 Item _____
 Quantity _____
 CSI Section 11400
 Approved _____
 Date _____

Models

- 36ES21



Electric 24" Wide,
70 Pound Capacity Fryer
Shown with Optional Tank Cover

Standard Features

- Stainless steel front and sides
- 20kW total element package
- 70 Lb. (31 kg) shortening capacity, continuously welded, heavy-gauge nickel-plated steel fry tank with 1" (25mm) drain valve is located at the bottom
- Chrome wire basket
- Electromechanical thermostat with temperature control range of 200°F (93°C) to 375°F (190°C)
- Inconel fixed-immersion type fixed heating elements
- 6" (152mm) adjustable chrome-plated legs (NSF)
- Storage cabinet with door
- 1-year warranty parts & labor (USA & Canada)

Options & Accessories

- Stainless steel main back
- Stainless steel tank cover
- 6" (152mm) adjustable stainless steel legs
- High voltage 460V
- Set of (4) polyurethane (non-marking) swivel casters complete with front brakes
- Marine accessories of hand rails, and deck fasteners

NOTE: Fryers supplied with casters must be installed with an approved restraining device.

Specifications

Heavy-duty range match fryer, 20 kW with 70 Lb. (31kg) shortening capacity.

Heavy-gauge, continuously welded, nickel-plated fry tank.

Utilizes four fixed-immersion type inconel elements positioned to provide heat to the sides, back, front and bottom of the frying area.

Stainless steel front and sides, mounted on storage cabinet complete with door.

Fryers are available with casters or for dais mount.

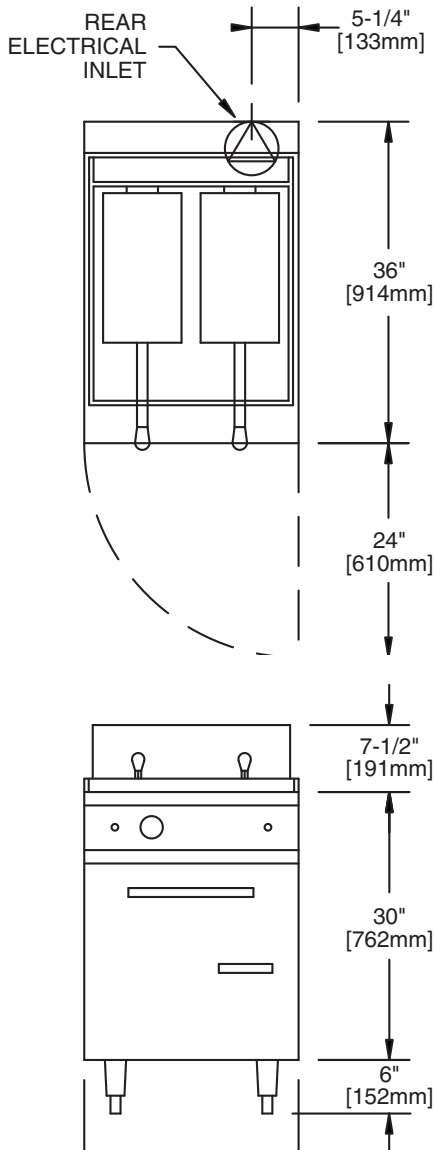
NOTE: The fryer may be paired together to form a common unit. They may be paired with a frymate model or may be set up as fry-stations of two fryers with a frymate unit between them.

These fryers are designed to battery with 36E series heavy-duty ranges.



36E-Series Heavy-Duty Range-Match Fryer

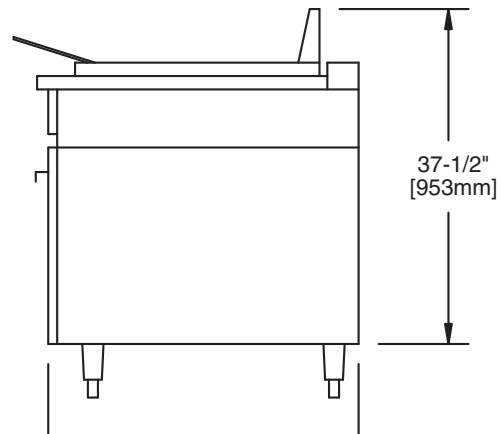
36E-Series Heavy-Duty Range-Match Fryer



Available Voltages: 208 VAC (197-219);
240 VAC (220-240); 460 VAC (440-480).

When ordering specify voltage and phase.

Garland products are not approved or authorized for home or residential use, but are intended for commercial applications only. Garland will not provide service, warranty, maintenance or support of any kind other than in commercial applications.



Model	Nominal Amperes Per Line											
	1 Phase			Three Phase								
	208	240	460	208			240			460		
			X	Y	Z	X	Y	Z	X	Y	Z	
36ES21	96	85	43	60	44	64	54	39	57	28	20	29

Model	Total KW	Three Phase KW per Phase		
		208, 240, 460		
		X-Y	Y-Z	X-Z
36ES21	20	4.8	5.6	9.6

Model	Shipping Information	
	Wt Lbs/Kg	Cu Ft
36ES21	270/122	34

Garland reserves the right to make changes to the design or specifications without prior notice.