

SPECIFICATIONS:

DOUGH DIVIDER ROUNDERS IDR/S (SEMI-AUTOMATIC)



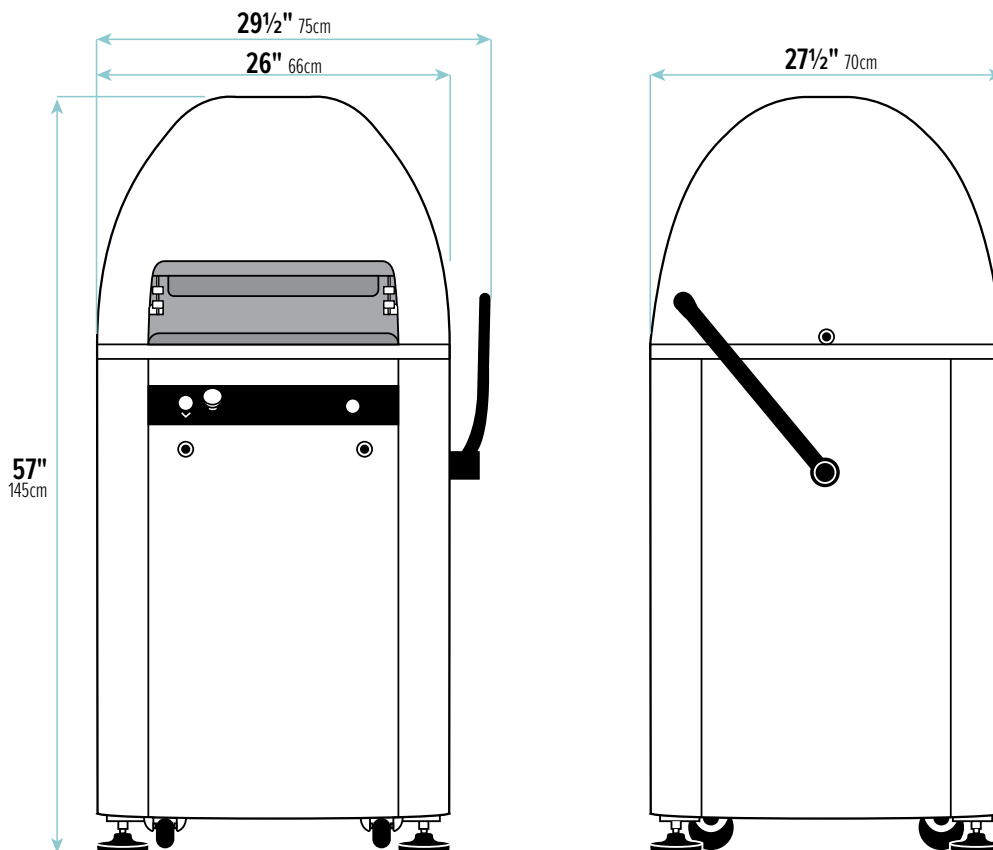
The Italiana FoodTech line of dough divider rounders automates the dough shaping process, producing a consistent product no matter who makes it. Making evenly portioned and shaped dough has never been easier. With three models available there is a divider rounder for every need and budget. With the ability to produce over 6000 pieces per hour, manually dividing and rounding dough at your pizzeria or bakery will be a thing of the past!

Features:

- Hydraulic machine
- Two cylinders for pressing, rounding done with lever
- One cylinder for cutting and one cylinder for rounding
- Control panel that allows adjustment of pressing, rounding and shaping chamber opening times.
- Knife cleaning button
- Can store up to 10 different programs and language can be changed according to the user's needs.
- The machine is supplied with no. 3 plates

DOUGH DIVIDER ROUNDERS

IDR/S (Semi-Automatic Models)




IDR/S Information

Model	Dimensions Inch			Dimensions cm			Weight	
	W	D	H	W	D	H	Lb	Kg
IDR/S-11	26	27½	57	66	70	145	463	210
IDR/S-15	26	27½	57	66	70	145	463	210
IDR/S-18	26	27½	57	66	70	145	463	210
IDR/S-22	26	27½	57	66	70	145	463	210
IDR/S-30	26	27½	57	66	70	145	463	210
IDR/S-30s	26	27½	57	66	70	145	463	210
IDR/S-36	26	27½	57	66	70	145	463	210
IDR/S-52	26	27½	57	66	70	145	463	210

IDR/S Shipping Information

Model	Dimensions Inch			Dimensions cm			Weight	
	W	D	H	W	D	H	Lb	Kg
IDR/S-11	32	30	65	80	75	170	540	245
IDR/S-15	32	30	65	80	75	170	540	245
IDR/S-18	32	30	65	80	75	170	540	245
IDR/S-22	32	30	65	80	75	170	540	245
IDR/S-30	32	30	65	80	75	170	540	245
IDR/S-30s	32	30	65	80	75	170	540	245
IDR/S-36	32	30	65	80	75	170	540	245
IDR/S-52	32	30	65	80	75	170	540	245

Electrical Information All Models are 220v 3 phase 1.45 Kw Machines, plug type: NEMA L15-20p 

Other voltages available



The manufacturer reserves the right to modify the technical data and models without previous notice.

ITALIANA Foodtech
 815 Alness St. Toronto Ont. M3J 2H8 Canada
 T: 647.577.3477 - F: 647.977.9214
info@italiana.ca / www.italiana.ca