



Outperform every day.™

Project:

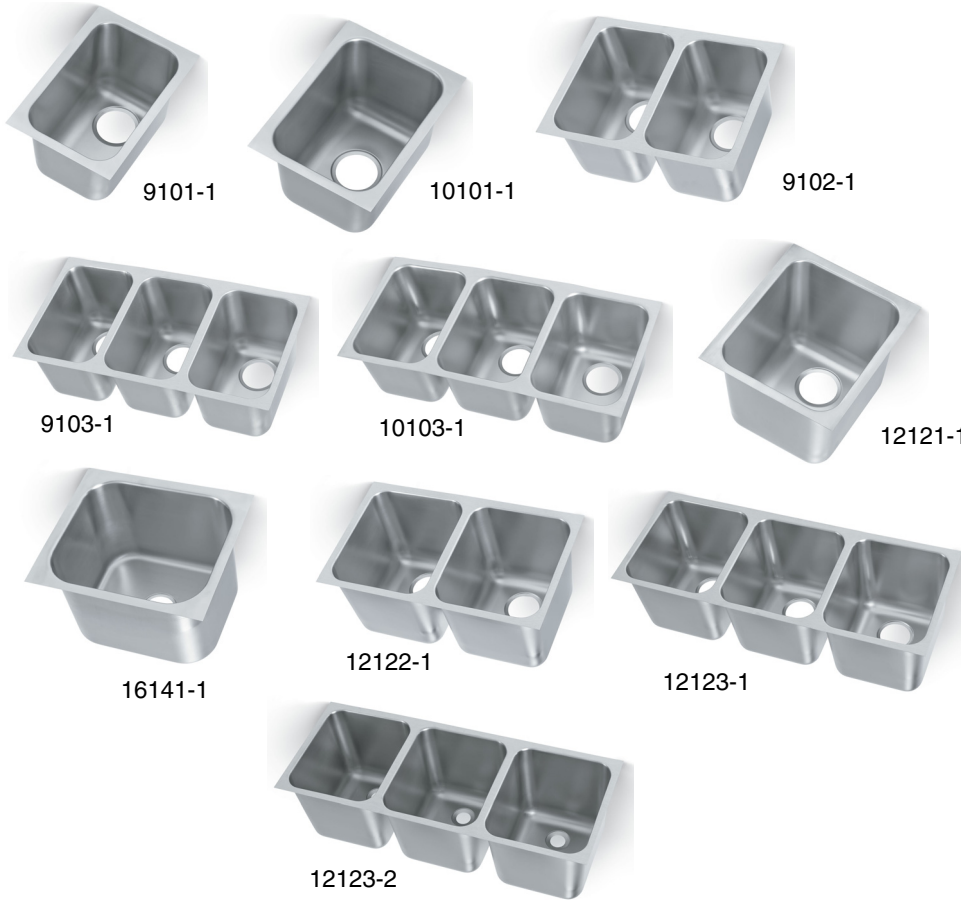
Item Number:

Quantity:

Undermount/Welded-in Sinks

The Vollrath Company, L.L.C.

UNDERMOUNT/WELDED-IN SINKS



Undermount/Welded-in Sinks

MODELS

Item	Overall Size
Heavy Weight 20 Gauge	
Single Bowl	
9101-1	11" x 16"
10101-0*	12" x 16"
10101-1	12" x 16"
12101-1	14" x 16"
Double Bowl	
9102-1	21" x 16"
10102-1	23" x 16"
12102-1	27" x 16"
Triple Bowl	
9103-1	31" x 16"
10103-1	34" x 16"
12103-1	40" x 16"
Super Heavy Weight 18 Gauge	
Single Bowl	
12121-1	14" x 16"
16141-1	18" x 21"
Double Bowl	
12122-1	27" x 16"
Triple Bowl	
12123-1	40" x 16"
12123-2	40" x 16"

*Solid bowl. No drain.

DESCRIPTION

Vollrath Undermount/Welded-in Sinks are designed and built to withstand vigorous use in professional and commercial kitchens.

FEATURES

- Available in heavy-weight 20 gauge and extra-heavy weight 18 gauge
- Type 304 stainless steel
- 1 inch flange
- Satin finish bowl with brushed finished flange
- One-piece drawn bowl
- Made in USA

WARRANTY: All models shown come with Vollrath's standard warranty against defects in materials and workmanship. For full warranty details, please refer to the Vollrath Equipment and Smallwares Catalog.

Due to continued product improvement, please consult www.vollrath.com for current product specifications.

Approvals

Date

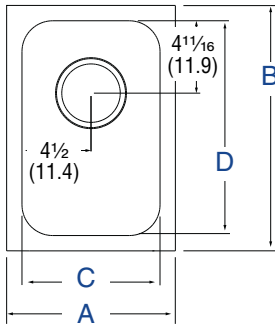
--	--



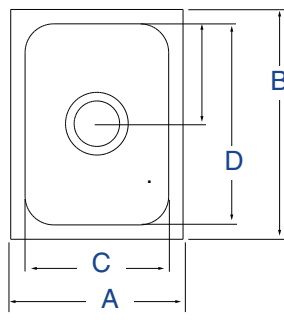
Outperform every day.™
www.vollrath.com

The Vollrath Company, L.L.C.
1236 North 18th Street
Sheboygan, WI 53081-3201 U.S.A.
Customer Service: 800.628.0830
Canada Customer Service: 800.695.8560
Main Fax: 800.752.5620 or 920.459.6573

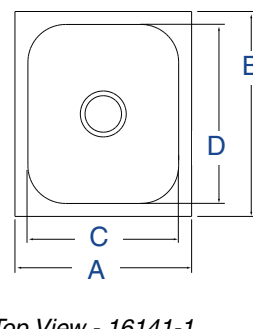
Technical Services: 800.628.0832
Technical Services Fax: 920.459.5462

UNDERMOUNT/WELDED-IN SINKS**DIMENSIONS** (inches (cm))**Single Bowl**

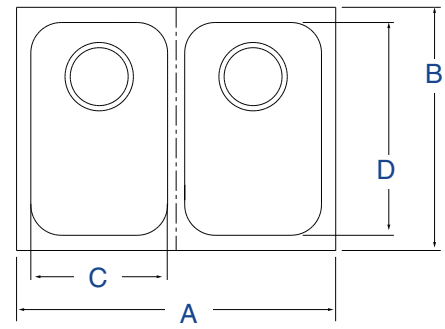
Top View



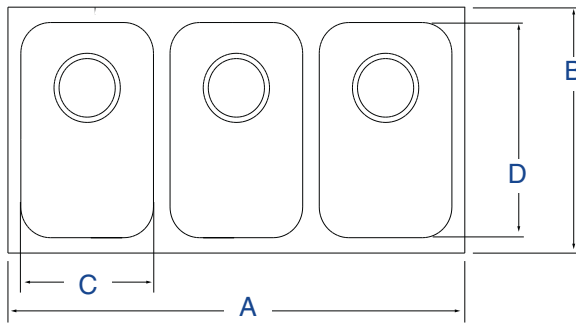
Top View - 10101-1



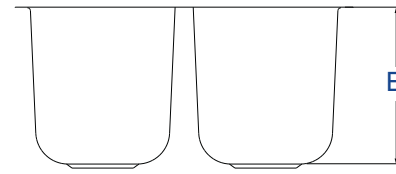
Top View - 16141-1

Double Bowl

Top View

Triple Bowl

Top View



Front View - All

SPECIFICATIONS

Item No.	Number of Bowls	Gauge	Overall Dimensions (A x B)	Bowl Dimensions (C x D)	Bowl Depth (E)	Drain Diameter	Case Lot	Case Weight LB (KG)
9101-1	Single	20	11 x 16 (27.9 x 40.6)	9 x 14 (22.9 x 35.6)	9¼ (23.5)	3½ (8.9)	4	16 (7.3)
10101-0*	Single	20	12 x 16 (30.5 x 40.6)	10 x 14 (25.4 x 35.6)	9¼ (23.5)	3½ (8.9)	4	16 (7.3)
10101-1	Single	20	12 x 16 (30.5 x 40.6)	10 x 14 (25.4 x 35.6)	9¼ (23.5)	3½ (8.9)	4	16 (7.3)
12101-1	Single	20	14 x 16 (35.6 x 40.6)	12 x 14 (30.5 x 35.6)	9¼ (23.5)	3½ (8.9)	2	13 (5.9)
9102-1	Double	20	21 x 16 (53.3 x 40.6)	9 x 14 (22.9 x 35.6)	9¼ (23.5)	3½ (8.9)	1	12 (5.4)
10102-1	Double	20	23 x 16 (58.4 x 40.6)	10 x 14 (25.4 x 35.6)	9¼ (23.5)	3½ (8.9)	1	12 (5.4)
12102-1	Double	20	27 x 16 (68.6 x 40.6)	12 x 14 (30.5 x 35.6)	9¼ (23.5)	3½ (8.9)	1	14 (6.4)
9103-1	Triple	20	31 x 16 (78.7 x 40.6)	9 x 14 (22.9 x 35.6)	9¼ (23.5)	3½ (8.9)	1	17 (7.7)
10103-1	Triple	20	34 x 16 (86.4 x 40.6)	10 x 14 (25.4 x 35.6)	9¼ (23.5)	3½ (8.9)	1	17 (7.7)
12103-1	Triple	20	40 x 16 (101.6 x 40.6)	12 x 14 (30.5 x 35.6)	9¼ (23.5)	3½ (8.9)	1	23 (10.4)
12121-1	Single	18	14 x 16 (35.6 x 40.6)	12 x 14 (30.5 x 35.6)	12 (30.5)	3½ (8.9)	2	13 (5.9)
16141-1	Single	18	18 x 21 (45.7 x 53.3)	16 x 19 (40.6 x 48.3)	14 (35.6)	3½ (8.9)	1	16 (7.3)
12122-1	Double	18	27 x 16 (68.6 x 40.6)	12 x 14 (30.5 x 35.6)	12 (30.5)	3½ (8.9)	1	15.7 (7.1)
12123-1	Triple	18	40 x 16 (101.6 x 40.6)	12 x 14 (30.5 x 35.6)	12 (30.5)	3½ (8.9)	1	25.5 (11.6)
12123-2	Triple	18	40 x 16 (101.6 x 40.6)	12 x 14 (30.5 x 35.6)	12 (30.5)	2 (5.1)	1	28 (12.7)

* Solid bowl. No drain.



Outperform every day.™

www.vollrath.com

The Vollrath Company, L.L.C.
 1236 North 18th Street
 Sheboygan, WI 53081-3201 U.S.A.
 Customer Service: 800.628.0830
 Canada Customer Service: 800.695.8560
 Main Fax: 800.752.5620 or 920.459.6573

Technical Services: 800.628.0832
 Technical Services Fax: 920.459.5462