



C SERIES

2-SECTION SOLID DOOR REACH-IN REFRIGERATOR



Project Name:	Location:	AIA #:
Item #:	Qty:	Model #:
		SIS #:

C SERIES - STAINLESS STEEL EXTERIOR & INTERIOR

SPECIFICATIONS

DIMENSIONAL DATA	
Capacity cu. ft.	43.88 (1243 L)
Length in.	53-3/4 (136.5 cm)
Depth in.	33-1/2 (85.1 cm)
Overall Height in. ²	82 (208.3 cm)
ELECTRICAL DATA	
Horsepower ¹	1/3
Amps	3.6
Voltage	115/60/1
NEMA	5-15P
REFRIGERATION DATA	
Refrigerant	R-290
Charge Amount oz.	3.4 (96 g)
BTU	2500

When ordering please specify:
Voltage, Hinging, and Options



NEMA 5-15P

- Based on 90°F ambient & 20°F evaporator.
- Overall height includes 4" (10.2 cm) for casters.



Intertek



Intertek



Models listed to applicable UL, CSA, and NSF standards by an approved NRTL. Consult the factory or unit data plate for additional information.

Specifications subject to change without notice. Chart dimensions are rounded up to the nearest 1/16" (centimeters rounded up to the nearest tenth).



HALF-HEIGHT MODELS

- CLBM-49R-HS-LR Hinged Left/Right
- CLBM-49R-HS-LL Hinged Left/Left
- CLBM-49R-HS-RR Hinged Right/Right

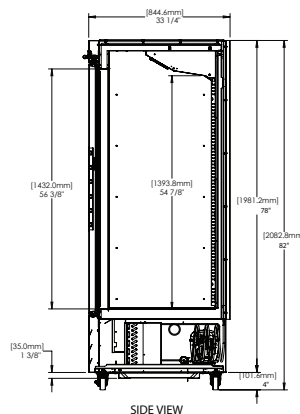
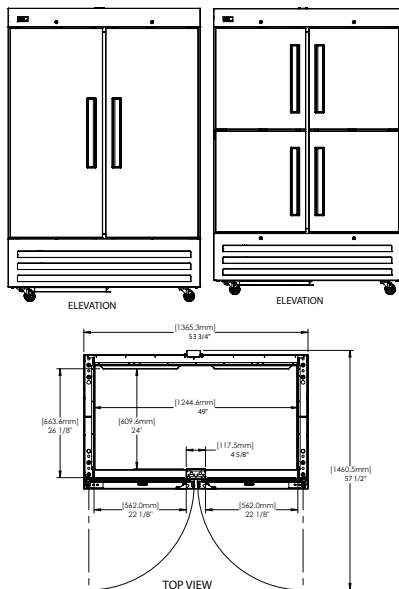
FULL-HEIGHT MODELS

- CLBM-49R-FS-LR Hinged Left/Right
- CLBM-49R-FS-LL Hinged Left/Left
- CLBM-49R-FS-RR Hinged Right/Right



ENERGY STAR® Listed Commercial Refrigerator
For full listing visit energystar.gov

PLAN VIEW





C SERIES

2-SECTION SOLID DOOR REACH-IN REFRIGERATOR



Project Name:	Location:	AIA #:	
Item #:	Qty:	Model #:	SIS #:

REFRIGERATION SYSTEM

- Self-contained, bottom-mounted system uses environmentally friendly, minimal GWP R-290 refrigerant
- High performance, balanced system operates at 36-41°F (2.2-5°C) to maintain consistent, food-safe temperatures
- LED display for microprocessor control is water-resistant
- Easy to clean, front-facing condenser coil
- Capillary tube metering device

CABINET CONSTRUCTION

- Stainless steel exterior and interior
- Exterior top, back, and bottom is constructed of heavy gauge galvanized steel
- Center mullion foamed-in-place for extra strength
- Accommodates storage on top of cabinet
- Rear-mounted duct protects airflow
- Ergonomically friendly bottom shelf
- Cabinet is insulated with an average of 2-3/8" (6.03 cm) thick high density, non-CFC foamed-in-place polyurethane
- A set of (4) 4" (10.2 cm) high casters; (2) with brakes, (2) without brakes
- 9' cord & plug provided

DOORS

- Doors are self-closing with a stay-open feature
- Magnetic, snap-in EZ-Clean™ door gaskets are chemical-resistant
- Gasket-protecting retainer

INTERIORS

- (3) adjustable, epoxy coated wire shelves per section supported on shelf pins

FIELD-INSTALLED OPTIONS

- Epoxy coated shelves on pilasters
- Set of (4) 6" (15.2 cm) legs
- Set of (4) 6" (15.2 cm) casters
- #1 or Universal type trayslides

WARRANTY

Both a six-year parts and labor warranty, and an additional one-year compressor parts warranty (for a total of seven years) are provided standard

CAD and/or Revit Files Available

<https://traulsen.klclcad.com>

Approved by:	Approved by:	Date:
--------------	--------------	-------