

U.S. Range

U-Series 36" Gas Restaurant Range With Convection Oven

Project _____
 Item _____
 Quantity _____
 CSI Section 11400
 Approved _____
 Date _____

Models

- U36-6C
- U36-4G12C
- U36-2G24C
- U36-G36C



Model U36-6C

Standard Features

- Large 27" (686mm) work top surface
- Stainless steel front and sides
- Stainless steel 5" (127mm) plate rail
- Stainless steel backguard, w/ removable stainless steel shelf
- 12" (305mm) section stamped drip trays w/ dimpled bottom
- 6" (152mm) adj. stainless steel legs
- Large phenolic knobs
- Gas regulator
- Easy to access oven pilot light
- Reinforced chassis corners
- Convection oven w/3 nickel-plated oven racks and removable rack guides w/1/3HP 120v 60 Hz single-phase fan motor
- Snap-action modulating oven thermostat low to 500° F
- Large oven w/ porcelain ribbed bottom & door, aluminized steel top, sides and back
- Square-cornered door design with strong, "keep-cool" oven door handle

Standard on Applicable Models:

- Ergonomic split cast-iron top ring grates
- Powerful 32,000 BTU/ 9.37 kW 2-piece cast-iron geometric open top burner
- 5/8" (15mm) thick steel griddle plate w/ manual hi/lo valve control, 23" (584mm) working depth surface, Standard on right, optional on left
- 4-1/4" (108mm) wide grease trough
- 18,000 BTU/5.27 kW cast iron "H"

- style griddle burner per 12" (305mm) width of griddle
- Front serviceable griddle plate
- Recessed bulb positioning for even griddle performance

Options & Accessories

- Convection oven motor 240v 50/60HZ single-phase
- Snap-action modulating griddle control 175° to 425° F
- Hot top 12" (305mm) plate in lieu of two open burners, manual valve controlled w/18,000 BTU/5.27 kW cast iron "H" burner standard on left side
- Low-profile 9-3/8" (238mm) backguard stainless steel front and sides
- Additional oven racks
- Four 6" (152mm) levelling swivel casters w/front locking
- Flanged deck mount legs
- Celsius temperature dials
- Piezo spark ignition for pilots on griddles
- Range mount salamanders and cheesemelters are available

Specifications

Gas restaurant series range with large capacity convection oven.

35 7/16" (900mm) wide, 27" (686mm) deep worktop surfaces.

Stainless steel front, sides and 5" wide front rail.

6" (152mm) legs with adjustable feet.

Six powerful 2-piece 32,000 BTU/9.37 kW (Natural Gas), cast-iron open burners set in split cast-iron ergonomic grates.

Griddle or optional hot top with cast-iron "H" style burners, 18,000 BTU/5.27 kW (natural gas), in lieu of open burners.

Front serviceable griddle plate.

Porcelain oven bottom and door liner and heavy-duty "keep-cool" door handle.

Convection oven with 1/3HP 120v 60 Hz single-phase fan motor.

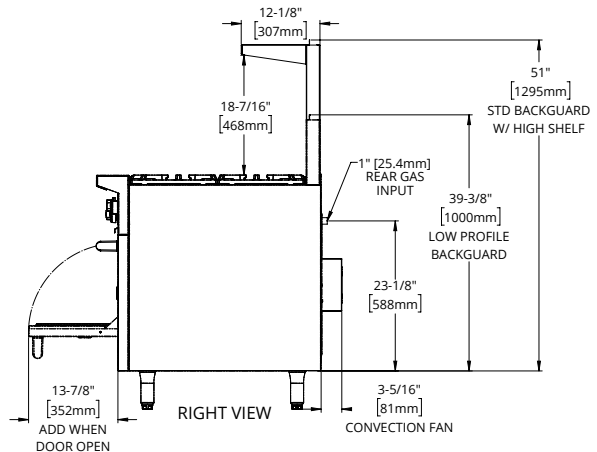
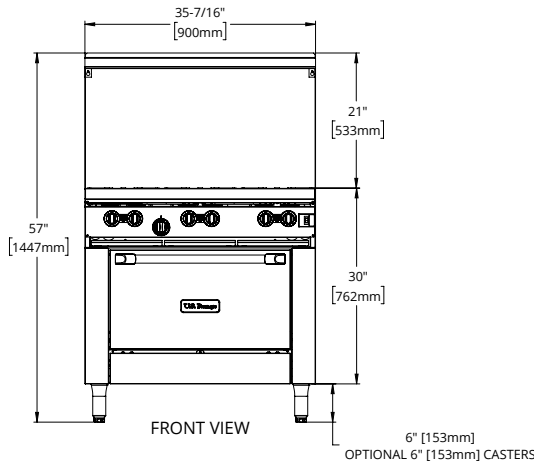
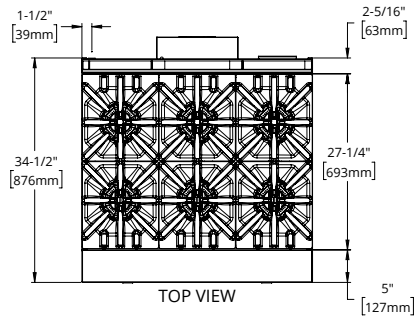
NOTE: Use only Garland certified casters and approved restraining devices.



U-Series 36" Gas Restaurant Range With Convection Oven

U.S. Range

U-Series 36" Gas Restaurant Range With Convection Oven



Gas input ratings shown for installations up to 2000 ft., (610m) above sea level. Please specify altitudes over 2000 ft.

This product is not approved for residential use.

Note: Installation clearance reductions are applicable only where local codes permit.

Model Number	Description	Total BTU/Hr Natural	Shipping Information		
			Lbs.	Kg	Cu Ft
U36-6C	Six Open Burners w/22" Convection Oven	230,000	430	195	57
U36-4G12C	12" Griddle, Four Open Burners w/22" Convection Oven	184,000	460	209	57
U36-2G24C	24" Griddle, Two Open Burners w/22" Convection Oven	138,000	495	225	57
U36-G36C	36" Griddle w/26" Convection Oven	92,000	530	240	57

Width In (mm)	Depth ³ In (mm)	Height w/shelf In (mm)	Oven Interior-in (mm)			Combustible Wall Clearance-in (mm)		Entry Clearances In (mm)		Manifold Operating Pressure	
			Height	Depth ⁴	Width	Sides	Rear	Crated	Uncrated	Natural	Propane
35-7/16 (900)	38-1/2 (974)	57 (1448)	13 (330)	22 (559)	26-1/4 (667)	14 (356)	6 (152)	37 (940)	36-1/2 (927)	4.5" WC 11 mbar	10" WC 25 mbar

Burner Ratings (BTU/Hr/kW)			
Gas Type	Open Top	Griddle/Hot Top	Convection Oven
Natural	32,000/9.37	18,000/5.27	38,000/11.13
Propane	26,000/7.61	18,000/5.27	32,000/9.38

Note: Convection ovens with 120V, 60 Hz, 1-phase, 3.4 amps motors are supplied with 6'/1829mm cord and plug (NEMA 5-15P); 240V, 50/60 Hz, 1-phase motors are not supplied with cord and plug and must have direct connect.

Garland/US Range reserves the right to make changes to the design or specifications without prior notice.

Garland Commercial Ranges Ltd.
1177 Kamato Road,
Mississauga, Ontario
L4W 1X4 CANADA

General Inquires 1-905-624-0260
USA Sales, Parts and Service 1-800-424-2411
Canadian Sales 1-888-442-7526
Canada or USA Parts/Service 1-800-427-6668

www.garland-group.com
8107B
03/26

