

"EFT8" FILLER TABLES

18GA Stainless Steel Top w/Galvanized Base & Undershelf

FEATURES:

- 18GA Stainless Steel Top
- Type 430 Stainless Steel Mechanically Polished With Satin Finish
- Top Is Sound Deadened
- Reinforced With 1"x2" Channel Running Entire Length Of Table
- 1-1/2" Stallion Edge On Front With 90 Degree Bend Down For Table Line-Up
- Galvanized Steel Base And Adjustable Undershelf
- Shipped Knocked-Down, Easy-To-Assemble

SPECIFICATIONS:

- Top: Stainless Steel Tops Are TIG Welded, Exposed Welds Are Polished To Match Adjacent Surface
- Top: 18GA Stainless Steel Type 430 Mechanically Polished Stainless Steel With Satin Finish
- Shelf: 18GA Galvanized Steel,
- Legs: 1-5/8" Round O.D. 16GA Tubular Galvanized Steel
- Gussets: Galvanized Steel
- Feet: 1" Plastic Bullet Feet

CERTIFICATIONS:

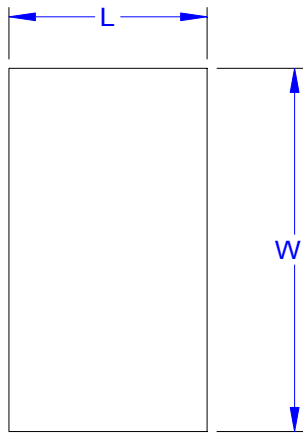


"EFT8" FILLER TABLES

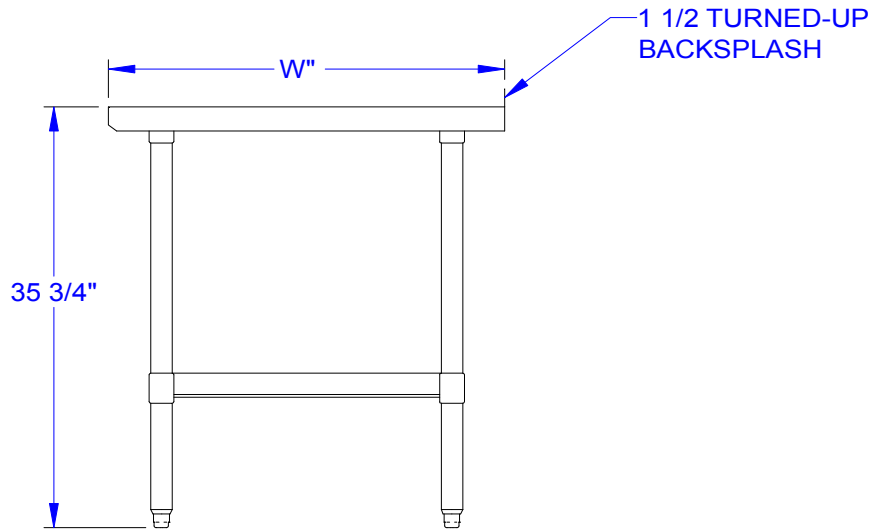
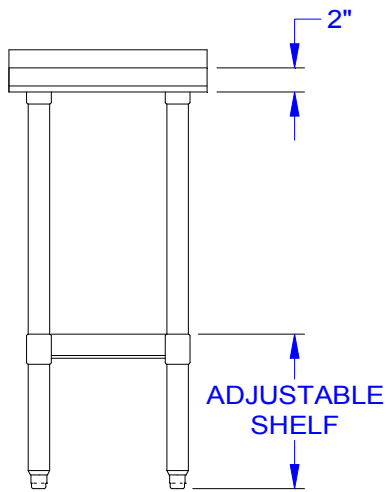
LENGTH	30" WIDE	WT (LBS)	36" WIDE	WT (LBS)
12"	EFT8-3012	33	EFT8-3612	36
15"	EFT8-3015	29	EFT8-3615	40
18"	EFT8-3018	35	EFT8-3618	44
24"	EFT8-3024	46	EFT8-3624	52

ALL DIMENSIONS ARE TYPICAL. TOLERANCE +/- .500". JOHN BOOS & CO. RESERVES THE RIGHT TO CHANGE SPECIFICATIONS WITHOUT NOTICE.

DETAILED SPECIFICATIONS



SHELF LENGTH = LENGTH MINUS 4.875"
SHELF WIDTH = WIDTH MINUS 4.25"



"EFT8" FILLER TABLES

LENGTH	30" WIDE	WT (LBS)	36" WIDE	WT (LBS)
12"	EFT8-3012	33	EFT8-3612	36
15"	EFT8-3015	29	EFT8-3615	40
18"	EFT8-3018	35	EFT8-3618	44
24"	EFT8-3024	46	EFT8-3624	52

ALL DIMENSIONS ARE TYPICAL. TOLERANCE +/- .500". JOHN BOOS & CO. RESERVES THE RIGHT TO CHANGE SPECIFICATIONS WITHOUT NOTICE.