

### "CUCT-EN" CUCINA AMERICANA COLLECTION *Cucina Technica Cart - 4" Thick End Grain Top*

#### FEATURES:

- Northern Hard Rock Maple
- End Grain Construction
- Food Service Grade Stainless Steel Base & Shelf
- Includes Stainless Steel Towel Bar
- Commercial Grade 3" Locking Casters
- Boos Block Cream With Beeswax Finish
- Shipped Knocked Down

#### CERTIFICATIONS:



NHLA



INCLUDED TOWEL BAR



PERFORATED LOWER SHELF

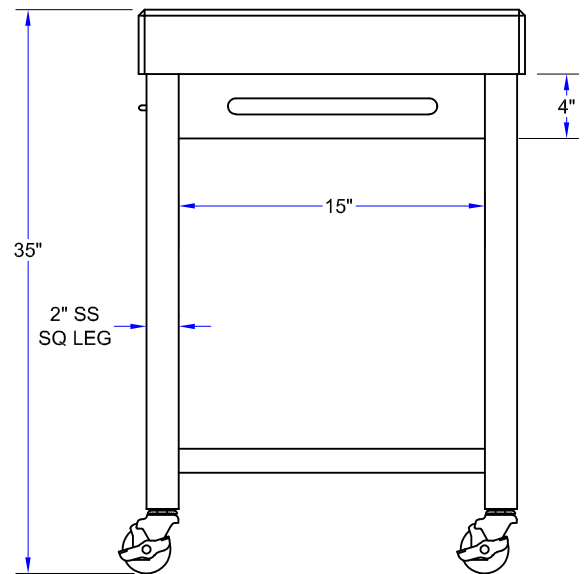
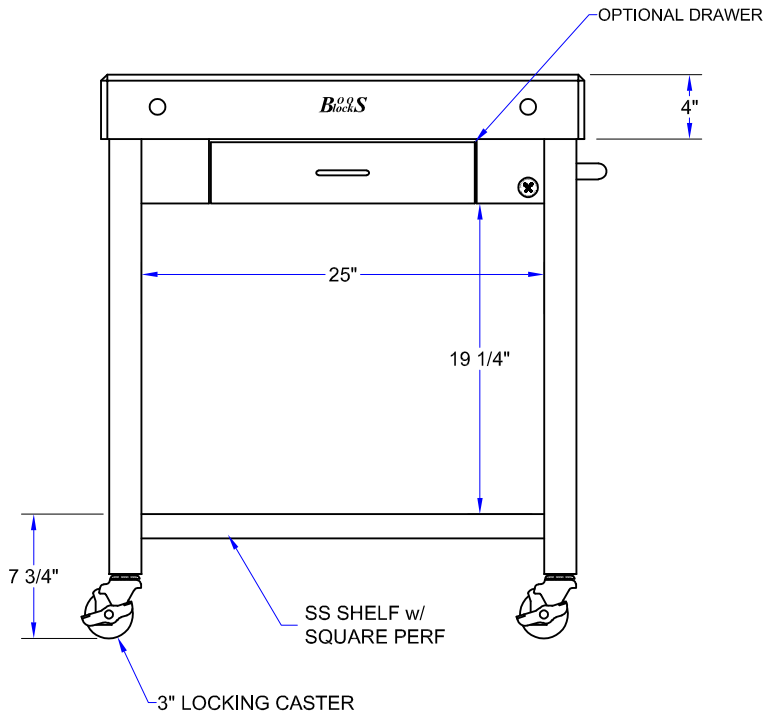
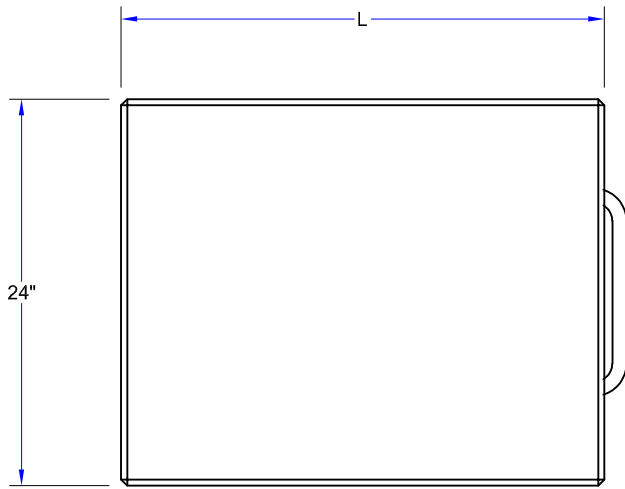
### "CUCT-EN" CUCINA TECHNICA CARTS

MODEL	TOP SIZE (L X W X H)	OVERALL HEIGHT	WT. (LBS)
CUCT14	24"x24"x4"	35"	105
CUCT24 *	30"x24"x4"	35"	128

\*NOTE: For Optional Drawer, Add Suffix "-D"

ALL DIMENSIONS ARE TYPICAL. TOLERANCE +/- .500". JOHN BOOS & CO. RESERVES THE RIGHT TO CHANGE SPECIFICATIONS WITHOUT NOTICE.

# DETAILED SPECIFICATIONS



## "CUCT-EN" CUCINA TECHNICA CARTS

MODEL	TOP SIZE (L X W X H)	OVERALL HEIGHT	WT. (LBS)
CUCT14	24"x24"x4"	35"	105
CUCT24 *	30"x24"x4"	35"	128

\*NOTE: For Optional Drawer, Add Suffix "-D"

ALL DIMENSIONS ARE TYPICAL. TOLERANCE +/- .500". JOHN BOOS & CO. RESERVES THE RIGHT TO CHANGE SPECIFICATIONS WITHOUT NOTICE.