

Catalogue
FOOD SERVICE
Chapter
COOKING

Specific model
SBGA-400 X 50/60Hz 380-400V 3N

19085083

28/04/2022

DENOMINATION:

Automatic tilting bratt pan directly heated with gas 400 L

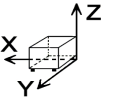
DESCRIPTION :

- Base and walls of cooking chamber made from AISI 304 stainless steel:
- Cooking chamber with non-stick finish and ceramic microspheres.
- Water can be added into the chamber via a single tap point.
- 10/10 thick AISI 304 stainless steel lid, with chrome plated rack and preloaded spring and stainless steel handle.
- Supporting structure made from 40/10 thick stainless steel, mounted on adjustable steel feet for levelling.
- 10/10 thick satin-finished AISI 304 stainless steel external walls.
- 15/10 thick satin-finished AISI 304 stainless steel shelf.
- Automatic tilting with hydraulic drive on the front axle
- Automatic shutdown in the event of system failure.
- SBGAX and SBEAX models: bottom made from 15 mm thick AISI 316 stainless steel Option: 15 mm thick composite (12mm iron + 3mm steel).

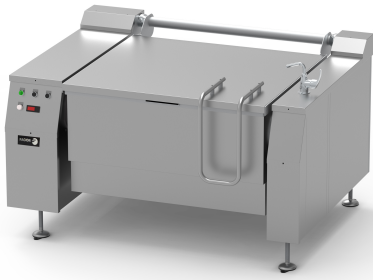
POSSIBLE ACCESSORIES :

- ACCESSORIES LARGE CAP.

DIMENSIONS



X Width	1750 mm	X Gross width	1420 mm
Y Depth	1305 mm	Y Gross depth	1840 mm
Z Height	935 mm	Z Gross height	1350 mm
Net Weight	630,0 kg	Gross Weight	725,0 kg
Net volume	2,135 m3	Gross volume	3,527 m3

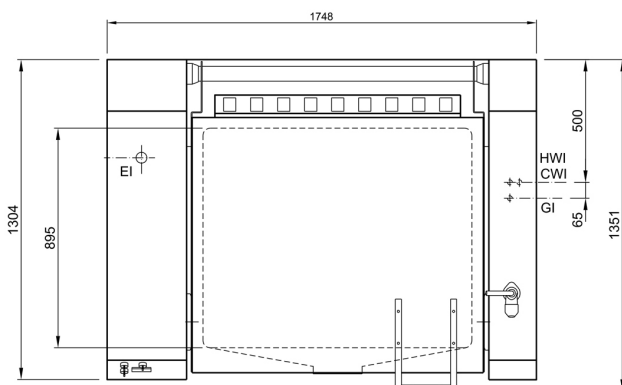
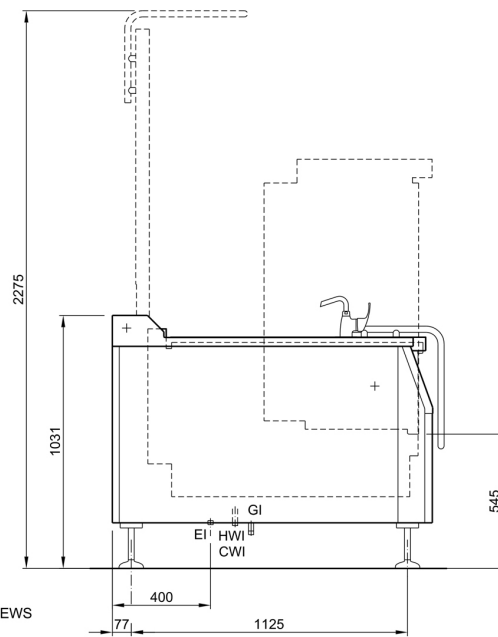
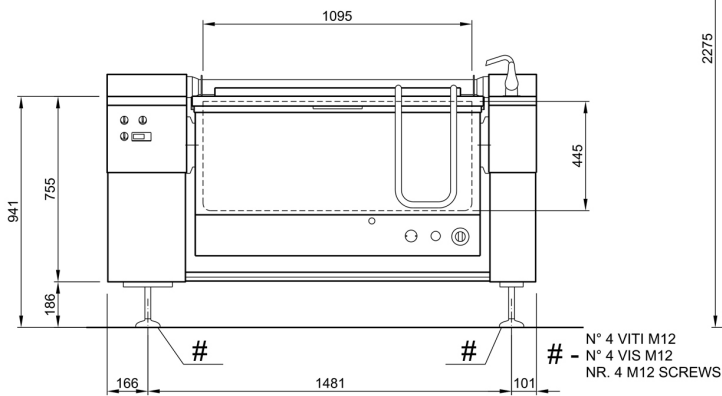


Catalogue
FOOD SERVICE
Chapter
COOKING

Specific model
SBGA-400 X 50/60Hz 380-400V 3N

19085083

28/04/2022



ALLACCIAMENTI - BRANCHEMENTS - CONNECTIONS

HWI - ACQUA CALDA EAU CHAUDE HOT WATER	100 - 250 kPa (1 - 2,5 bar)	1/2" M
CWI - ACQUA FREDDA EAU FROIDE COLD WATER	100 - 250 kPa (1 - 2,5 bar)	1/2" M
GI - ARRIVO GAS ENTREE DU GAZ GAS INLET	33 kW	1/2" ISO 7/1 R1
EI - ARRIVO CAVI ELETTRICI ENTREE CABLE ELECTRIQUE ELECTRIC CORD ENTRY	(STANDARD) 380-400V 3N 50-60HZ 0,75KW (OPTIONAL) 380-400V 3 50-60HZ 0,75KW (OPTIONAL) 220-230V 3 50-60HZ 0,75KW (OPTIONAL) 220-230V 1N 50-60HZ 0,75KW	