



# Clean Dish Tables

## Dish Tables



Use your smart phone to scan the above QR code to visit our website:  
[www.bk-resources.com](http://www.bk-resources.com)

### Certifications:



### Features:

- 1 5/8" Rolled Edge
- 10" Backsplash
- Front to Back End Bracing
- 30 3/8" O.A. Front to Back

### Options:

- S/S Slant Rack Shelf
- Upgraded Bullet Feet

### Material:

#### S Series: S/S w/ Stainless Steel Legs & Bracing

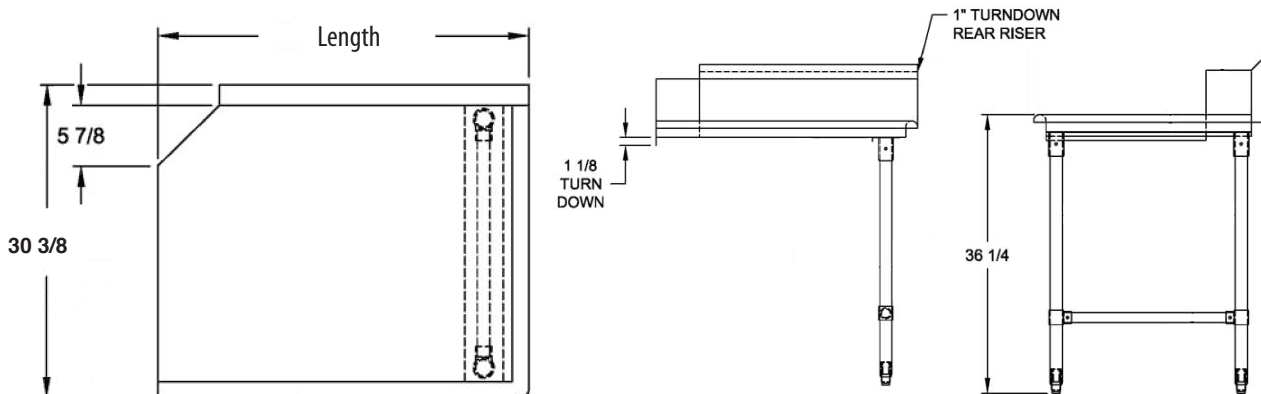
- T-304 18 ga. Stainless Steel Top
- Stainless Steel Legs & Bracing
- Adjustable S/S Over Plastic Bullet Feet

#### G Series: S/S w/ Galvanized Legs & Bracing

- T-304 18 ga. Stainless Steel Top
- Galvanized Legs & Bracing
- Adjustable High Impact Corrosion Resistant Feet



| S Series<br>S/S w/ S/S Legs & Bracing |                            | G Series<br>S/S w/ Galv. Legs & Bracing |  | Table Side |
|---------------------------------------|----------------------------|---|--|------------|
| Length                                | T-304 S/S<br>30 3/8" Width | T-304 S/S<br>30 3/8" Width              |  |            |
| 26"                                   | BKCDT-26-R-SS              | BKCDT-26-R                              |  | Right      |
|                                       | BKCDT-26-L-SS              | BKCDT-26-L                              |  | Left       |
| 36"                                   | BKCDT-36-R-SS              | BKCDT-36-R                              |  | Right      |
|                                       | BKCDT-36-L-SS              | BKCDT-36-L                              |  | Left       |
| 48"                                   | BKCDT-48-R-SS              | BKCDT-48-R                              |  | Right      |
|                                       | BKCDT-48-L-SS              | BKCDT-48-L                              |  | Left       |
| 60"                                   | BKCDT-60-R-SS              | BKCDT-60-R                              |  | Right      |
|                                       | BKCDT-60-L-SS              | BKCDT-60-L                              |  | Left       |
| 72"                                   | BKCDT-72-R-SS              | BKCDT-72-R                              |  | Right      |
|                                       | BKCDT-72-L-SS              | BKCDT-72-L                              |  | Left       |



PRODUCT DATA SHEET

BK RESOURCES

