

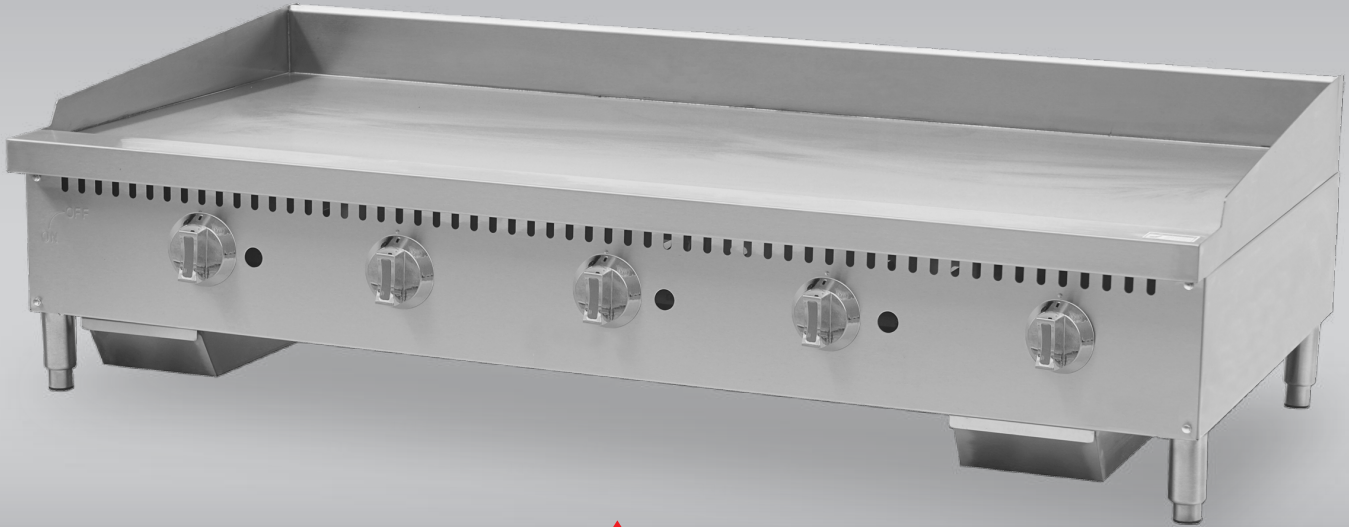


Item # _____
 Project : _____
 Qty : _____

Thermostatic Gas Griddle

Model No.

STGS-60



STGS-60

Features:

- Cast iron H-shape burners
- 30,000 BTU per burner
- Thermostatic control
- 1" thick griddle plate
- Fully welded stainless back and side splash
- Standby pilot for quick and easy start
- Removable stainless steel drip tray
- Zinc alloy knob with chrome coating
- Stainless steel adjustable heavy duty legs
- Durable, attractive stainless steel front and sides
- Built for natural gas with an LP conversion kit & regulator included

Warranty Info:

One Year

- Parts & Labor on entire unit.
- Valid in United States.
- Valid for commercial use only.

Revised **02/12/2026**

STGS-60

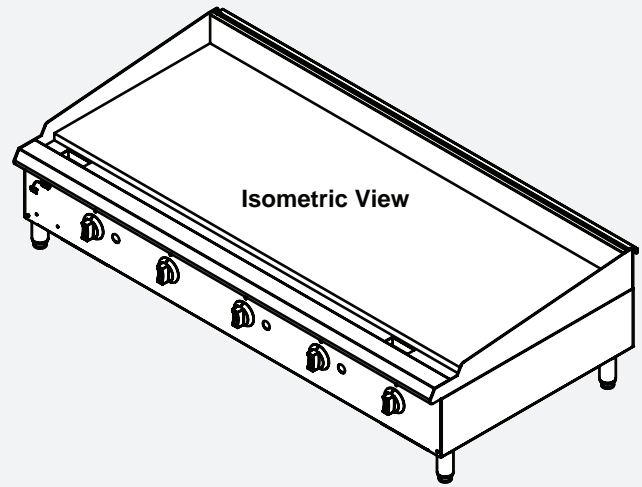
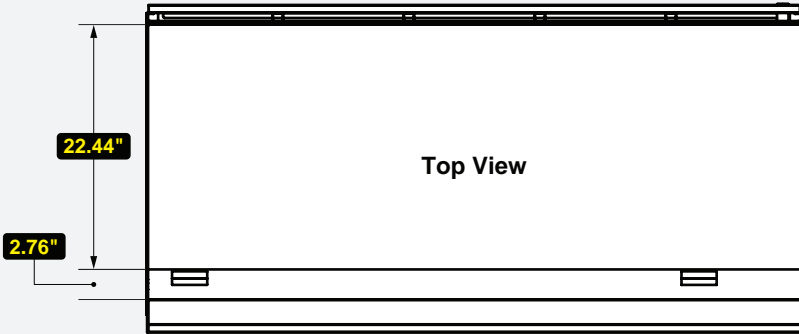
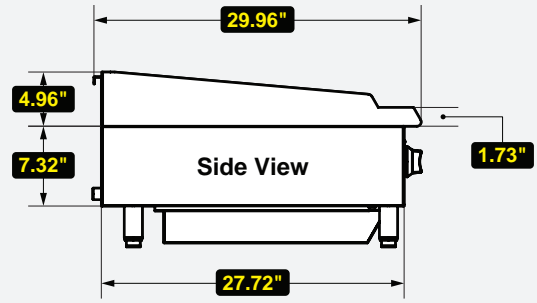
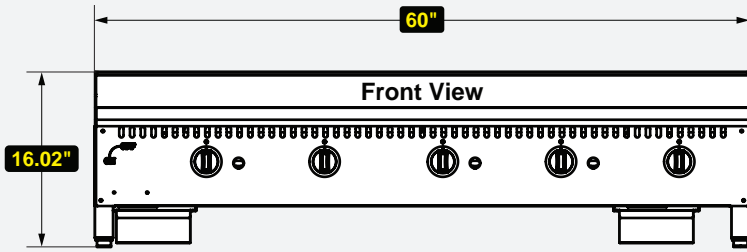


www.servware.com
 Phone:(800).768.5953
 Fax:(800).976.1299

STGS-60 Thermostatic Gas Griddle



Item # _____
 Project : _____
 Qty : _____



Technical Information:

MODEL #	DESCRIPTION	DIMENSIONS	WEIGHT/LBS.
		(W x D x H)	(Shipping)
STGS-60	5 Burner	60" W x 29.96" D x 16.02" H	565 lbs.

CONSTRUCTION
Stainless steel legs, front & sides with chrome-coated zinc alloy knob

COOKING	
Temperature Range	200°F – 500°F
BTU/H per Burner	30,000
Gas Line	¾
W.C. for Natural Gas	4 in.
W.C. for LP	10 in.



Prop. 65 Warning for California Residents
WARNING: This product may contain chemicals known to the State of California to cause cancer, birth defects, or other reproductive harm.

