

"UBHS-21" UNDERBAR HAND SINK 21" Width

FEATURES:

- 18GA Stainless Steel Construction
- Type 300 Stainless Steel With #4 Polish, Satin Finish
- Standard Pre-Drilled Holes On Sides For Attaching Adjacent Units Together
- Removable Faucet Plate With 4" On-Center Splash Mount Faucet Holes
- Soap And Towel Dispenser
- Stainless Steel Front To Back Bracing

SPECIFICATIONS:

- Top: 18GA Type 300 Stainless Steel
- Front Apron: 18GA Type 300 Stainless Steel
- Backsplash: 18GA Type 300 Stainless Steel
- Sides: 18GA Type 300 Stainless Steel
- Fabricated Sink Bowl: 10"x8"x6" Deep
- Bolt On 1-5/8" Stainless Steel Legs For Fast Installation
- 1-1/4" Front To Back Bracing
- 1" Adjustable Stainless Steel Bullet Feet
- Z-Clip To Mount To Wall
- Bolt To Adjacent Underbar Piece
- Mounting Options Allow For Flexible Installation Options To Remove Back Or Front And Back Legs For A Clean Installation
- 1-7/8" Drain With Basket
- 1-1/2" NPS Drain Connection

CERTIFICATIONS:



UBHS-2112

ACCESSORIES

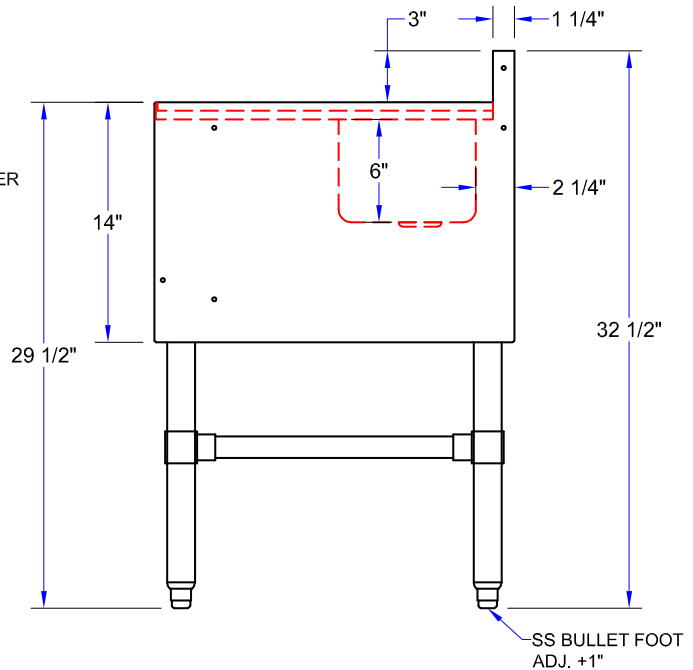
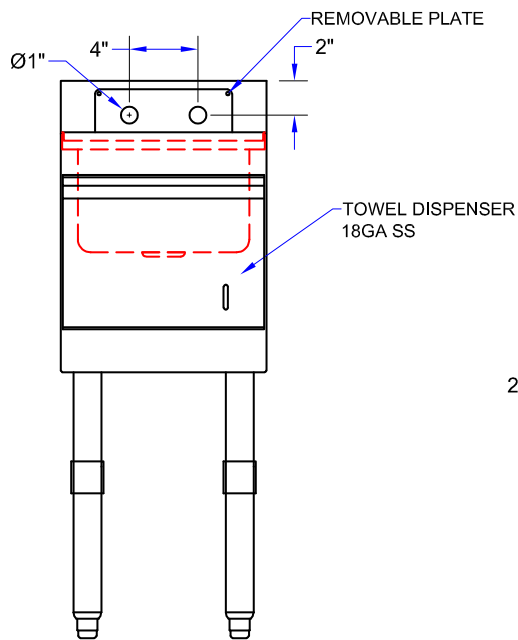
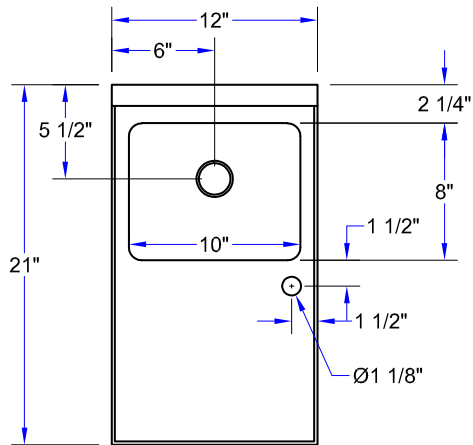
MODEL	DESCRIPTION
PBF-4SM2-3GLF	Heavy Duty Faucet
PBF-W2-3GLF	Economy Faucet
PB-WL-36	Flexible Shallow Mount Faucet Hoses
UBSS-21-L	Left Hand Side Splash
UBSS-21-R	Right Hand Side Splash

"UBHS-21" UNDERBAR HAND SINK

MODEL	SIZE (LXWXH)	WEIGHT (LBS)
UBHS-2112	12"x21"x32-1/2"	36

ALL DIMENSIONS ARE TYPICAL. TOLERANCE +/- .500". JOHN BOOS & CO. RESERVES THE RIGHT TO CHANGE SPECIFICATIONS WITHOUT NOTICE.

DETAILED SPECIFICATIONS



"UBHS-21" UNDERBAR HAND SINK

MODEL	SIZE (LXWXH)	WEIGHT (LBS)
UBHS-2112	12"x21"x32-1/2"	36

ALL DIMENSIONS ARE TYPICAL. TOLERANCE +/- .500". JOHN BOOS & CO. RESERVES THE RIGHT TO CHANGE SPECIFICATIONS WITHOUT NOTICE.