



# CHINESE RANGE

TITAN CHINESE RANGE



JCR-4 (four 20" holes)

### CUSTOM CHINESE RANGE FORMULA

To calculate width of range, add 1" to each hole plus width of hole; add 4" for each side; add 6" between each hole.

Example: For JCR-2 (one 14" hole and one 16" hole), calculate  $4 + (14 + 1) + 6 + (16 + 1) + 4 = 46$ " overall width

### PLEASE SPECIFY WHEN ORDERING

- Hole Size(s)
- 3-ring  or Jet Burners
- Gas Inlet: Right  Left
- Water Drain: Right  Left
- Manual  or Swing on Faucet

Available Burners:

Ring burners 100,000 BTU/hr. each

18-Tip Jet burners 110,000 BTU/hr. each

23-Tip Jet burners 135,000 BTU/hr. each (hole must be 14" or larger)

32-Tip Jet burners 150,000 BTU/hr. each (hole must be 16" or larger)

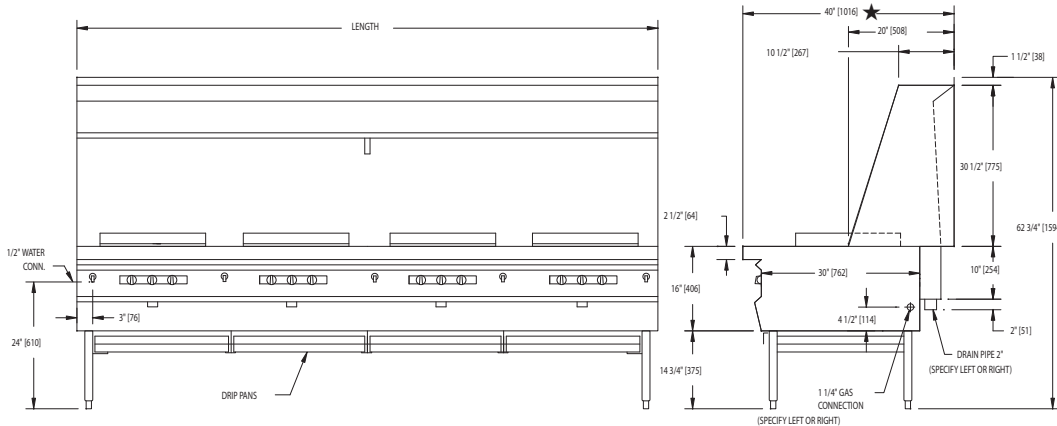
### MODEL NO.

### DESCRIPTION

<input type="checkbox"/> JCR-1	ONE HOLE CHINESE RANGE
<input type="checkbox"/> JCR-2	TWO HOLE CHINESE RANGE
<input type="checkbox"/> JCR-3	THREE HOLE CHINESE RANGE
<input type="checkbox"/> JCR-4	FOUR HOLE CHINESE RANGE
<input type="checkbox"/> JCR-5	FIVE HOLE CHINESE RANGE
<input type="checkbox"/> JCR-6	SIX HOLE CHINESE RANGE

### STANDARD FEATURES

- Heavy gauge stainless steel front, sides, interior angle structuring, plate shelf, top, sides & pipe legs
- Range top 12 gauge stainless steel angle iron and reinforced with 10 gauge steel burner chamber
- Heavy gauge steel body structure
- Each burner individually controlled—each hole has individual main "shut-off" valve
- Heavy-duty stainless steel pipe legs with adjustable feet for leveling
- Stainless steel tubular rack provided for holding wok covers
- Top-cooling water flow is controlled by independent valve—water flows through perforated stainless steel tube running the length of the appliance, beneath 14 gauge stainless steel front plate shelf
- Gas inlet and water drain location are available (by specification) at either end on rear of appliance
- Appropriate size wok, cover and drip pan for each hole
- Stainless steel drip pan for each hole
- Manual faucet (One faucet kit for every two holes or Swing-on faucet (One faucet per hole)
- Spice tray
- 1-1/4" gas regulator



★ Standard hole diameters are: 12", 14", 16", 18", 20", 22" & 24".  
Depth is 42" when 24" hole is specified.



WWW.JADERANGE.COM

JADE RANGE, LLC., A MIDDLEBY COMPANY • 2650 Orbiter Street • Brea, CA 92821 • PHONE: 800-884-5233 FAX: 714-961-2550  
Note: In line with their policy to continually improve products, Jade reserves the right to change materials and specifications without notice. PRINTED IN USA

