

Wall Mounting Kit for WM Faucets & Pre-Rinse Units, 3/4" Connection

ROYAL SERIES



Standard Features

- For heavy-duty construction for commercial installations requiring higher water flow
- Larger inlet provides stronger water flow
- Complete kit includes brass nipples, elbows, locknuts, rosettes, and gaskets for a secure wall mount
- Perfect for high demand kitchens

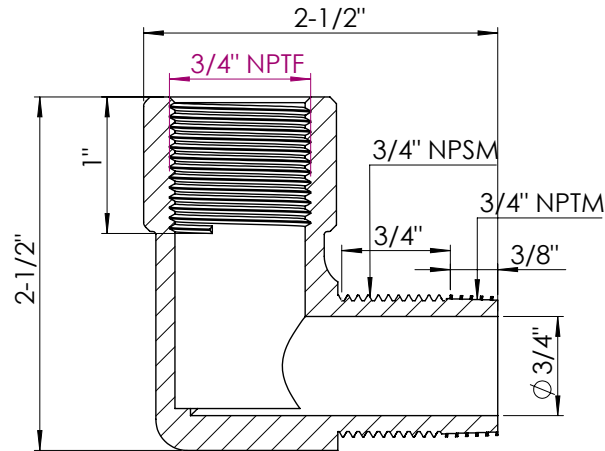
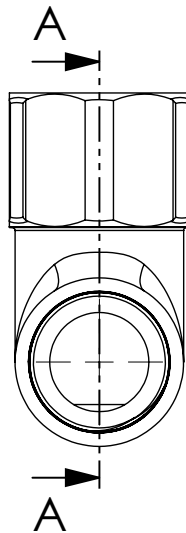
Specifications

Inlet	3/4" NPT Female
Material	Brass
Pressure	14 - 140 PSI
Temp Range.	32°F - 212°F
Weight	1.25 lbs.

Model	Description
21-187L	3/4" Mounting Kit

Product Compliance

- ASME A112.18.1-2012/CSA B125.1-12 & NSF/ANSI 372
- NSF/ANSI/CAN 61: Q<1
- NSF-61 & NSF/ANSI 372
- NSF/ANSI/CAN 372-2024
- NSF/ANSI/CAN 61-2023
- ASME A112.18.1-2024/CSA B125.1:24



SECTION A-A

Warning:

Plumbing connections should be made by qualified personnel who will observe all applicable plumbing, sanitary and safety codes

California Prop 65 Warning:

This product can expose you to chemicals including lead and lead compounds, which are known to the State of California to cause cancer and birth defects or other reproductive harm. For more information go to www.P65Warnings.ca.gov.