

43 litre GAS MANUAL BRAISING PANEL WITH STAINLESS STEEL BOTTOM

Project:
Rev:
Zone:
Location:



CODICE
CR0989969

MODELLO
D74/10KBGI

SERIE
DIAMANTE70



GENERAL CHARACTERISTICS

In addition to offering the widest choice of solutions and 2 mm thick and 70 cm deep tops, this series has all the power, robustness and functionality you need to work efficiently. Scotch Brite finish stainless steel outer shells and feet. Worktop height adjustable from 840 to 900 mm. Modularity of range: 200-400-600-800-1200 Wide range of accessories.

TECHNICAL SPECIFICATIONS

Multifunctional tilting braising pan, equipment for professional catering, suitable for cooking sauces, braises and cooking with oil. It guarantees high performance, exceptional firing uniformity. Water supply directly into the tank via solenoid valve (can be ordered as an accessory).
Cooking temperature controlled by thermostat with adjustment from 100 to 280°C.

AISI 304 stainless steel cooking vessel, 2 mm thick.

Cooking temperature controlled by thermostat with adjustment from 100 to 280°C.

Heating by chrome-plated steel burner.

Safety valve with thermocouple, electric ignition.

Robust, double-walled, self-balancing lids made of stainless steel to reduce heat loss.

Large-radius tilting tank.

Equipment certified for low voltage directive 2014/35/EU according to the international CB scheme.

Thanks to the jet-proofing certification (IPX5) obtained through specific tests, knobs and under-knobs can be washed, without compromising functionality and safety.

43 litre GAS MANUAL BRAISING PANEL WITH STAINLESS STEEL BOTTOM

Project:
Rev:
Zone:
Location:



CODICE
CR0989969

MODELLO
D74/10KBGI

SERIE
DIAMANTE70

Technical Information

SPECIFICATION	DATA
MATERIAL	CR0989969
DEFINITION	D74/10 KBGI BRAZIER GAS M80 STAINLESS STEEL
COMMERCIAL LINE	DIAMANTE
SUPPLY	GAS
DIM. WIDTH	800 mm
DIM. PRODUCTIVITY	730 mm
DIM. HEIGHT	870 mm
NET WEIGHT	114,800 Kg
VOLUME (net)	0,508
PACKAGE LENGTH	850,000 mm
PACKAGE WIDTH	850,000 mm
PACKAGING HEIGHT	1150,000 mm
PACKAGE VOLUME	0,831 m3
GROSS PACKING WEIGHT	124,000 Kg
STANDARD POWER SUPPLY	220-240V 1N
FREQUENCY	50 Hz
ELECTRICAL POWER	0.12 kW
GAS POWER	14,00
GAS POWER (G25.3/25mbar)	13,00
CERTIFIED MODEL	D74/10 KBGI

43 litre GAS MANUAL BRAISING PANEL WITH STAINLESS STEEL BOTTOM

Project:
 Rev:
 Zone:
 Location:



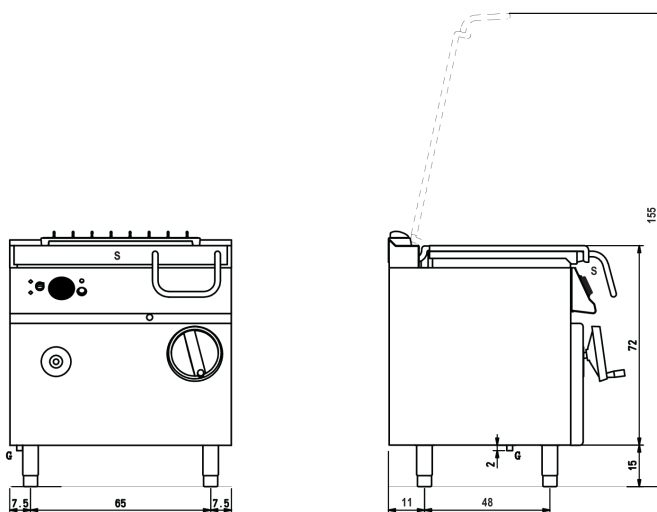
CODICE
CR0989969

MODELLO
D74/10KBGI

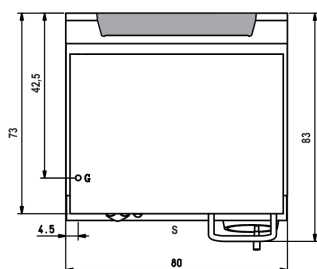
SERIE
DIAMANTE70

SCHEMA DI INSTALLAZIONE - INSTALLATION DIAGRAM - INSTALLATIONSPLAN - SCHÉMA D'INSTALLATION - ESQUEMA DE INSTALACION - INSTALLATIESCHEMA - IINSTALLATIONSRIJNINGAR

MISURE IN cm - DIMENSIONS IN cm - ABMESSUNGEN IN cm
 MESURES EN cm - MEDIDAS EN cm - MATEN IN cm



(D) 74/10 KBG ...



Legenda - Legende - Key - Légende - Leyenda - Legenda

- G** Attacco arrivo gas - Gasanschluss - Gas connection
 Arrivée gaz - Union de gas - Gasaansluiting
EN 10226-1 R 1/2; EN ISO 228-1 G 1/2 (DK)
- S** Scarico vasca - Wannenabflussrohr - Pan outlet
 Vidange du bac - Descarga cuba - Water toevoer

43 litre GAS MANUAL BRAISING PANEL WITH STAINLESS STEEL BOTTOM

Project:
Rev:
Zone:
Location:

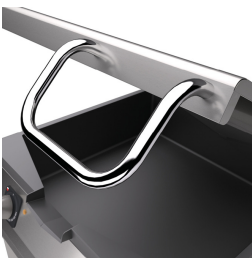


CODICE
CR0989969

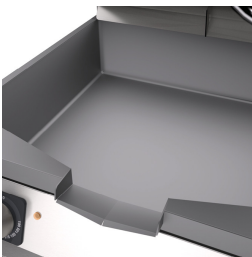
MODELLO
D74/10KBGI

SERIE
DIAMANTE70

Product's PLUS



Self-balancing lids.



Large-radius tilting tank.



Thanks to the jet-proofing certification (IPX5) obtained through specific tests, knobs and under-knobs can be washed, without compromising functionality and safety.

43 litre GAS MANUAL BRAISING PANEL WITH STAINLESS STEEL BOTTOM

Project:
Rev:
Zone:
Location:



CODICE
CR0989969

MODELLO
D74/10KBGI

SERIE
DIAMANTE70

ACCESSORIES

CODE	MODELLO	DESCRIZIONE
CR0592799	ZF8	
CR0592830	ZG	
MA97432000	R	
MA97433000	RI	
CR0592869	PZM	
CR0593580	9PT	
CR0592879	KPA	
CMF0708	CMF0708	
CR0599649	7ZL	