



Project _____

AIA # _____ SIS # _____

Item # _____ Quantity _____ C.S.I. Section 114000

TE Series

Refrigerated Equipment Stands
Self-Contained
Two Drawer Models



STANDARD PRODUCT FEATURES

- Stainless Steel Exterior & Interior
- Stainless Steel Top w/Drip Guard (Marine) Edge
- Reliable Microprocessor Control With LED Temperature Display
- Balanced, Self-Contained Refrigeration System Using R-290
- Rear Mounted Evaporator Fans Provide Dedicated Airflow Pattern for Each Section of Drawers
- Front-Breathing Design for "Zero-Clearance" Installation
- Non-Electric Condensate Evaporator
- Removable Condenser Filter for Easy Cleaning & Coil Protection
- Off-Cycle Evaporator Defrost
- Controllable Anti-Condensate Drawer Perimeter Heaters
- Full Length Drawer Handle with Gasket Guard
- Magnetic Snap-In Drawer Gaskets
- Easily Removable Drawers Accomodate 12" x 20" x 6" Pans (pans by others)
- Self-Closing Drawers with Stay-Open Feature
- Heavy Gauge Stainless Steel Drawer Slides
- Side, Front & Rear Access Panel for Ease of Service & Maintenance
- NEMA 5-15P Plug with 9' Cord & Cord Retainer
- Set of Four (4) 4" Plate Casters on Adjustable Caster System



Models listed to the applicable UL, CSA and NSF standards by an approved NRTL. Consult the factory or unit data plate for additional information.

AVAILABLE CONFIGURATIONS

Two, Four & Six Drawer Models, 34" Deep

Model

TE036HT
TE048HT
TE060HT

Model Type

36" 2-Drawer Model
48" 2-Drawer Model
60" 2-Drawer Model

ACCESSORIES & OPTIONS

- Set of 6" High Stainless Steel Legs in Lieu of Casters
- 6" Cabinet Length Extension for Added Surface Space (includes supports & seamless top)
- Stainless Steel Exterior Finished Back
- System Relocated to Right Side

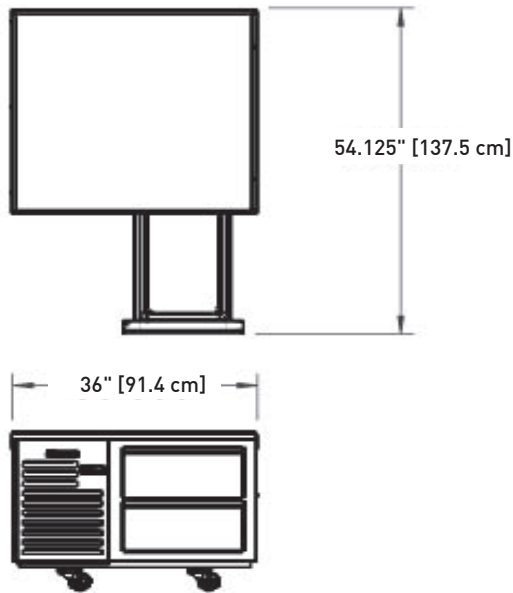
Approved by _____ Date _____ Approved by _____ Date _____

MODELS

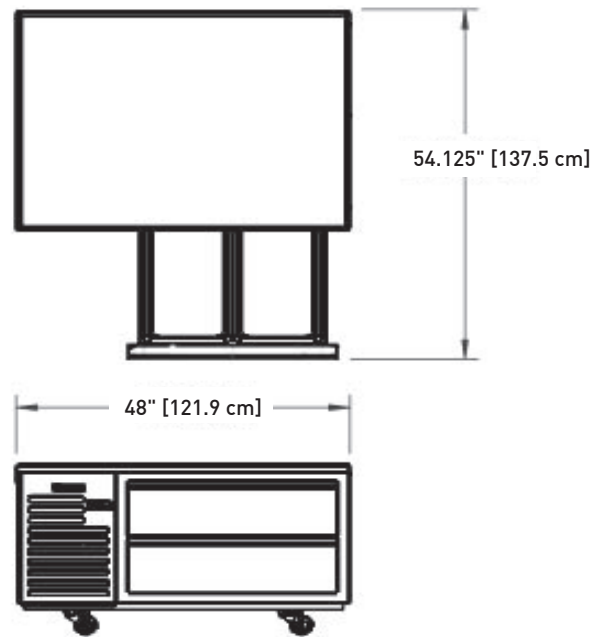
Two Drawer Models: TE036HT, TE048HT, TE060HT

CAD and/or Revit Files Available

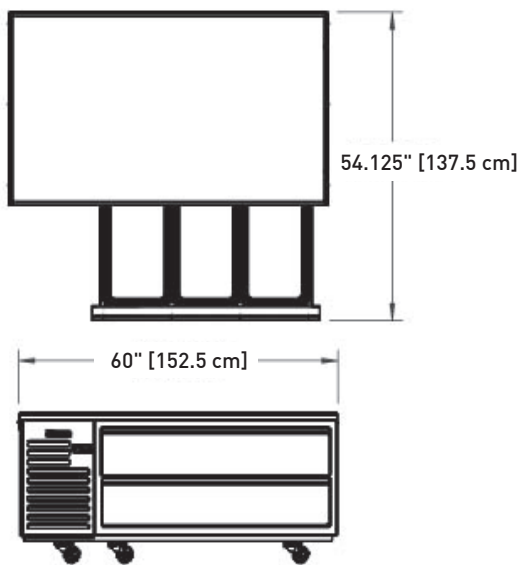
<https://traulsen.klccad.com/>



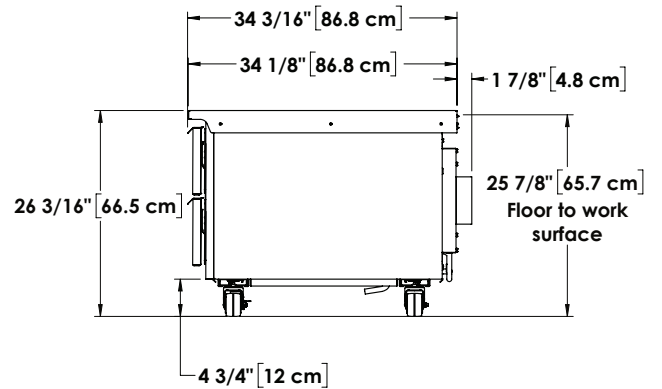
Elevation - TE036HT



Elevation - TE048HT



Elevation - TE060HT



Section - All Models



MODELS

TE036HT, TE048HT, TE060HT

MODELS	TE036HT	TE048HT	TE060HT
DIMENSIONAL DATA			
Length - Overall in.	36 (91.4 cm)	48 (121.9 cm)	60 (152.5 cm)
Depth - Cabinet Only in.	32 (81.3 cm)		
Depth - Drawer Open in.	54 1/8 (137.5 cm)		
Depth - Over Handle in.	34 3/16 (86.8 cm)		
Height - Overall on 4" Casters ¹ in.	26 3/16 (66.5 cm)		
Max Top Load Capacity lbs.	625 (283.5 kg)	625 (283.5 kg)	1200 (544.3 kg)
Pan Capacity - 12" x 20" x 6"	2	4	6
Pan Orientation	N/A	Side by Side	Side by Side
Drawers Per Cabinet	2		
ELECTRICAL DATA			
Voltage	115/60/1		
Plug	NEMA 5-15P		
Full Load Amperes	4.5		
REFRIGERATION DATA			
Refrigerant	R-290		
Refrigerant Amount oz.	3.3 (93.6 g)	4.1 (116.2 g)	
BTU/HR HP ²	2180 1/4		
SHIPPING DATA			
Length - Crated in.	65 (165.1 cm)	72 (182.9 cm)	84 (213.4)
Width - Crated in.	42 (106.7 cm)	42 (106.7 cm)	42 (106.7 cm)
Height - Crated in.	41(104.1 cm)	35 (88.9 cm)	42 (106.7 cm)
Volume - Crated cu. ft.	65 (1840.6 l)	62 (1755.6 l)	86 (2435.3)
Weight - Crated lbs.	410 (186 kg)	430 (195 kg)	475 (216 kg)

NOTES:

1. Height as measured without optional stainless steel work top.
2. Based on a 90°F ambient and 20°F evaporator. For information on remote models, please refer to form TR35837.

When ordering please specify: Voltage, Hinging, Options and any additional warranties.

Equipped with one NEMA 5-15P Plug



EQUIPMENT SPECIFICATIONS

CONSTRUCTION, HARDWARE, INSULATION

Cabinet exterior front, sides, louver assembly and drawers are constructed of heavy gauge stainless steel, exterior back and bottom are constructed of heavy gauge galvanized steel. Cabinet interior sides, top and bottom are constructed of heavy gauge stainless steel. A set of 4" high casters are included standard. Both the cabinet and drawers are insulated with an average of 2" thick high density, non-CFC foamed in place polyurethane.

SELF-CONTAINED REFRIGERATION SYSTEM

The left side mounted, self-contained, balanced refrigeration system using environmentally friendly, low GWP R-290 refrigerant features an off-cycle defrost, capillary tube, air-cooled hermetic compressor, condensate evaporator, and a dedicated rear-mounted evaporator design which distributes cold air through each drawer section. A 9' cord and retainer is provided. Standard operating temperature is 34° to 38°F.

CONTROL

The easy to use water resistant microprocessor control is supplied standard. It includes a 3-Digit LED Display, and a Fahrenheit or Celsius Temperature Scale Display Capability.

DRAWERS

Each heavy-duty drawer is designed to accommodate 12" x 20" x 6" deep pans. They are constructed using 14-gauge stainless steel drawer slides and 2" diameter stainless steel rollers. Drawers include both a self-closing and stay-open feature. Drawers are also removable for full access to clean the food zone.

WARRANTY

Both a six year parts and labor warranty and a seven year compressor warranty (self-contained models only) are provided standard.

CONTINUED PRODUCT DEVELOPMENT MAY NECESSITATE SPECIFICATION CHANGES WITHOUT NOTICE.