



Profit from the Eagle Advantage®

# Specification Sheet

## Short Form Specifications

Eagle Boning Table, model \_\_\_\_\_. Heavy duty stainless steel construction with all-welded 1½" square stainless steel tubular frame. 4" removable backsplash; 6" stainless steel deck, removable for cleaning; and ½" thick removable polymer top. 1½" O.D. stainless steel tubular legs with stainless steel crossbracing and adjustable bullet feet.



boning table

## Options / Accessories

- Casters\*
- Stainless steel bullet feet
- Undershelf \*\*
- All-welded construction \*\*\*
- Boat rack
- Drawer assemblies\*\*\*\* / Drawer support angles \*\*\*\*

\* For optional set of 4" resilient-tread casters, add suffix "-CA". Example: BT3048S-CA  
For optional set of 5" resilient-tread casters, add suffix "-CAH". Example: BT3048S-CAH

\*\* For optional stainless steel undershelf, add suffix "-US". Example: BT3072S-US

\*\*\* For optional all-welded construction, add suffix "-AW". Example: BT2436S-AW

\*\*\*\* See spec sheet #EG10.13 for Drawer Assemblies available.

For optional Drawer Assemblies, Drawer Support Angles are required:

- For 24"-wide tables with backsplash, order model #609541 drawer supports.
- For 30"-wide tables with backsplash, order model #609539 drawer supports.
- For 36"-wide tables with backsplash, order model #609543 drawer supports.

## EAGLE GROUP

100 Industrial Boulevard, Clayton, DE 19938-8903 USA

Phone: 302-653-3000 • 800-441-8440 • Fax: 302-653-2065

www.eaglegrp.com

www.eaglehmc.com

For custom configuration or fabrication needs, contact our SpecFAB® Division.

Phone: 302-653-3000 • Fax: 302-653-2065 • e-mail: quotes@eaglegrp.com

Item No.: \_\_\_\_\_  
 Project No.: \_\_\_\_\_  
 S.I.S. No.: \_\_\_\_\_

## Boning Tables

### MODELS:

- |                                   |                                   |                                   |
|-----------------------------------|-----------------------------------|-----------------------------------|
| <input type="checkbox"/> BT2436S  | <input type="checkbox"/> BT3036S  | <input type="checkbox"/> BT3636S  |
| <input type="checkbox"/> BT2448S  | <input type="checkbox"/> BT3048S  | <input type="checkbox"/> BT3648S  |
| <input type="checkbox"/> BT2460S  | <input type="checkbox"/> BT3060S  | <input type="checkbox"/> BT3660S  |
| <input type="checkbox"/> BT2472S  | <input type="checkbox"/> BT3072S  | <input type="checkbox"/> BT3672S  |
| <input type="checkbox"/> BT2484S  | <input type="checkbox"/> BT3084S  | <input type="checkbox"/> BT3684S  |
| <input type="checkbox"/> BT2496S  | <input type="checkbox"/> BT3096S  | <input type="checkbox"/> BT3696S  |
| <input type="checkbox"/> BT24108S | <input type="checkbox"/> BT30108S | <input type="checkbox"/> BT36108S |
| <input type="checkbox"/> BT24120S | <input type="checkbox"/> BT30120S | <input type="checkbox"/> BT36120S |

### Tabletop

- 4" (102mm) removable backsplash.
- 6" (152mm) removable stainless steel deck.
- ½" (13mm)-thick removable poly top.
- 1½" (38mm) square stainless steel tubular frame.
- Tabs, along perimeter of tabletop frame, lock poly top in place and are virtually self-cleaning.

### Crossbracing

- 16 gauge stainless steel.
- 1¼" (32mm)-diameter.
- Adjustable.
- Runs left-to-right at rear and front-to-back at both ends.

### Legs

- 16 gauge stainless steel.
- 1½" (41mm)-diameter.
- Adjustable metal feet.

### Certifications / Approvals



AutoQuotes



EG10.07 Rev. 03/24

Spec sheets available for viewing, printing or downloading from our online literature library at our websites

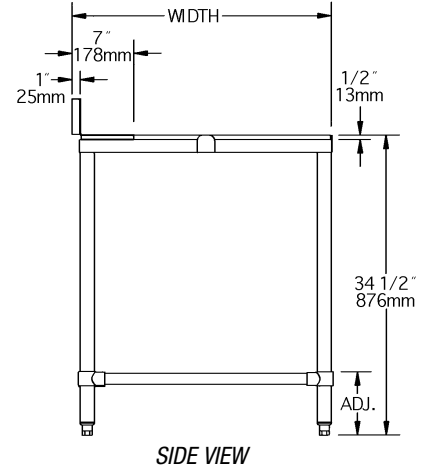
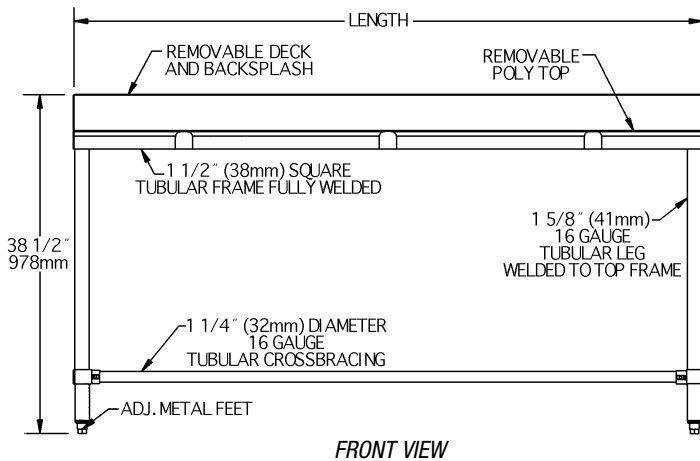
Eagle Foodservice Equipment, Eagle MHC, and SpecFAB® are divisions of Eagle Group. ©2024 by the Eagle Group



Profit from the Eagle Advantage®

Item No.: \_\_\_\_\_  
 Project No.: \_\_\_\_\_  
 S.I.S. No.: \_\_\_\_\_

# Boning Tables



model #	number of polyboards per table	width		length		weight	
		in.	mm	in.	mm	lbs.	kg
BT2436S	1	24"	610	36"	914	110	49.9
BT2448S	2	24"	610	48"	1219	132	59.9
BT2460S	2	24"	610	60"	1524	135	61.2
BT2472S	2	24"	610	72"	1829	160	72.6
BT2484S	3	24"	610	84"	2134	180	81.6
BT2496S	3	24"	610	96"	2438	215	97.5
BT24108S	4	24"	610	108"	2743	225	102.1
BT24120S	4	24"	610	120"	3048	245	111.1
BT3036S	1	30"	762	36"	914	115	52.2
BT3048S	2	30"	762	48"	1219	138	62.6
BT3060S	2	30"	762	60"	1524	140	63.5
BT3072S	2	30"	762	72"	1829	165	74.8
BT3084S	3	30"	762	84"	2134	185	83.9
BT3096S	3	30"	762	96"	2438	220	99.8
BT30108S	4	30"	762	108"	2743	230	104.3
BT30120S	4	30"	762	120"	3048	250	113.4
BT3636S	1	36"	914	36"	914	120	54.4
BT3648S	2	36"	914	48"	1219	143	64.9
BT3660S	2	36"	914	60"	1524	145	65.8
BT3672S	2	36"	914	72"	1829	170	77.1
BT3684S	3	36"	914	84"	2134	190	86.2
BT3696S	3	36"	914	96"	2438	225	102.1
BT36108S	4	36"	914	108"	2743	235	106.6
BT36120S	4	36"	914	120"	3048	255	115.7

**EAGLE GROUP**

100 Industrial Boulevard, Clayton, DE 19938-8903 USA  
 Phone: 302-653-3000 or 800-441-8440 • Fax: 302-653-2065  
 www.eaglegrp.com • www.eaglemhc.com

Printed in U.S.A.  
 ©2024 by Eagle Group

Rev. 03/24

Spec sheets available for viewing, printing or downloading from our online literature library at our websites

Although every attempt has been made to ensure the accuracy of the information provided, we cannot be held responsible for typographical or printing errors. Information and specifications are subject to change without notice. Please confirm at time of order.