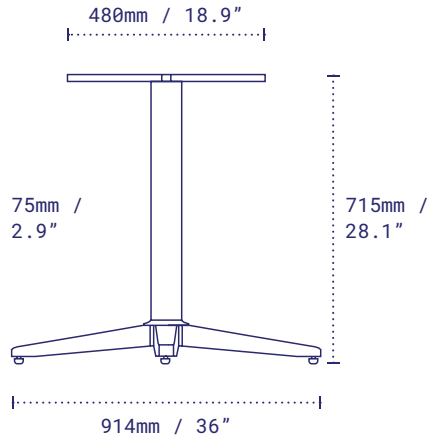


Trail 36

B36NR-STD : DINING HEIGHT





Trail 36 self-stabilising table base exemplifies modern simplicity. The linear, clean design and concealed componentry complements a robust construction for use in any setting.

Pictured: Trail 36 Dining Height, Sandstone Black.

DETAILS

 Material	Steel – Zinc Plated Legs, Zinc Phosphate Column
 Next-Level Protection	Steel – Zinc Plated Legs, Zinc Plated Column, Zinc Phosphate Top Plate
 Height	715mm / 28.1"
 excl. table top	
 Base diameter	915mm / 36"
 Column width	75mm / 2.9"
 Top plate	Fixed
 Net weight	11.1kg / 24.4lbs
 Max recommended table top	○ 1371mm / 54" □ 1219mm / 48"
 Resources	no-rock.com/product/trail

PACKAGING

 Carton	770 x 680 x 100mm / 30.3 x 26.7 x 3.9" x Box 1
 Gross weight	12.6kg / 27.7lbs

STANDARD COLOR RANGE

● Sandstone Black

