

# SHARP®

**2100  
WATTS**

**0.70  
CU.FT.**

Heavy Duty Commercial Microwave Oven


## R25JTF

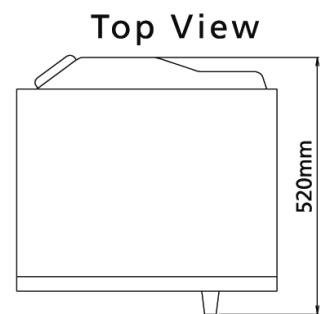
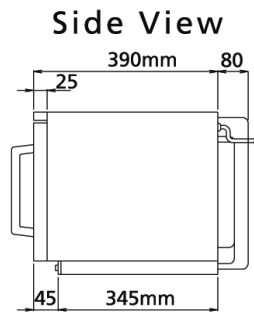
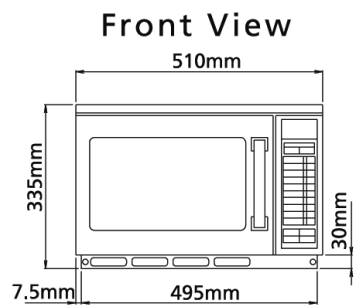
- 0.70 cu. ft. Capacity, with High Quality Stainless Steel Interior, Exterior, and Door
- Stores up to 20 Program Inputs; Recalls the Memories at Any Time to Confirm Power Level and Time Setting
- 3-Stage Programming; Program Food to Defrost then Begin Cooking at One Power Level and Finish Cooking at Another
- Double Quantity Button Quickly Adjusts Time for a Double Portion
- Express Defrost™ Automatically Divides Total Defrosting Time into 3 Stages with 3 Power Levels



FEATURES	
Finish	Stainless Steel
Grade	Heavy Duty
Oven Control	Touch Pads
Capacity (cu. ft.)	0.70
Output Power (Watts)	2100
Power Levels	11
Express Defrost™	Yes
SelectaPower	Yes
SelectaTime	Yes
Stage Cooking	3
Programmable	Yes, 20 Programmable Memories
Double Quantity	Yes
Display	Digital
Interior Light	Yes
Door Handle	Trigger Switch
Door, Cabinet, Interior	Stainless Steel
Door Window	See-Through
Viewing Window	Tempered Glass Interior

DIMENSIONS & WEIGHT (in. / lbs.)	
Cavity Dimensions (w x h x d)	13" x 7-1/8" x 13"
Product Dimensions (w x h x d)	20-1/8" x 13-1/4" x 18-1/2"
Product Weight / Shipping Weight	68 lbs / 77 lbs

ADDITIONAL SPECIFICATIONS	
AC Power Required	230/208V, 60 Hz, 3.2kW, 14.5A @230V, 15.5A @208V
NEMA Receptacle	6-20R 
UPC	074000607880



Design and specifications subject to change without notice. Sharp is a registered trademark of Sharp Corporation. SelectaPower, SelectaTime and Express Defrost are trademarks of Sharp Corporation. All other trademarks are the property of their respected owners.