

MANUFACTURER:	Roband Australia
CATEGORY:	Toaster
MODEL / DESC:	Sycloid
ORIGIN:	Australia
WARRANTY:	1 Year (refer to website)



## Sycloid Toaster

### High Speed Toast Production | Energy Saving | Cool to Touch | Reliable Performance

Elegantly designed and crafted, the Sycloid toaster is a must have for front-of-house, high speed toast production.

The stylish exterior houses a cleverly designed machine that provides truly functional, energy efficient operation and an outstanding toasting result, time after time.



ST350A  
ST500A looks the same



ST350AB  
ST500AB looks the same

### FEATURES

- Available in red, black or natural finish
- 10 Amp (350\* slices/hour) or 13 Amp (500\* slices/hour)
- Optimised for bread under 20 mm thick but accommodates up to 30 mm
- Delivers consistent, even toasting
- Safety focused design with cool-to-touch body and lid locking latch
- Energy efficient features include auto energy-save mode and auto-sense to activate when bread is inserted
- Adjustable, lockable speed controller to ensure patrons do not alter the setting
- LED lit toast return chute provides clear visibility and easy access; radiant heat keeps toast warm
- Durable stainless steel elements
- Brushed stainless steel, black or red finish.
- Slide out crumb tray, and hinged cover for easy cleaning

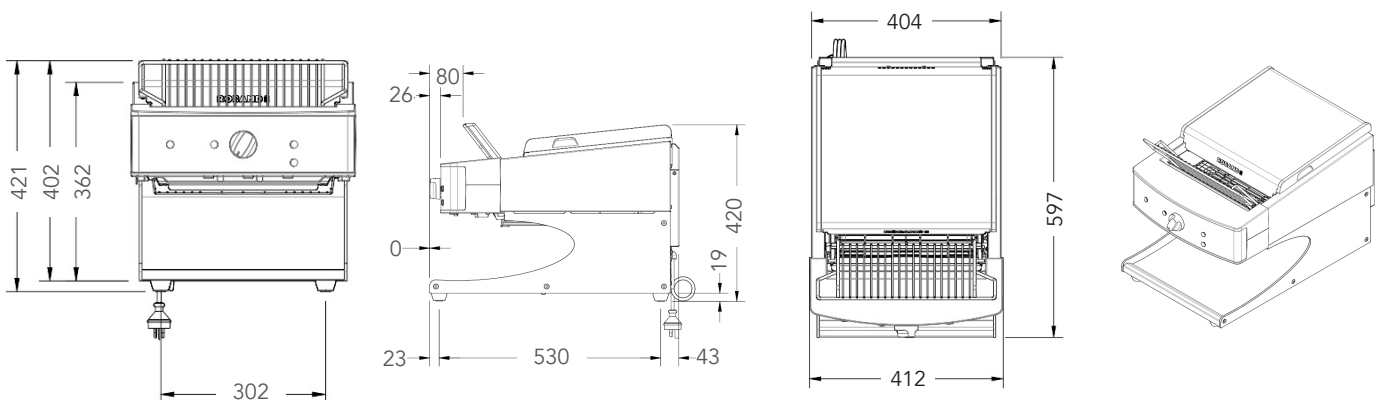
\*Throughput varies with voltage

### SPECIFICATIONS

MODEL	COLOUR	SLICES / HR (min)	CURRENT Amps	POWER Watts	DIMENSIONS w x d x h (mm)	WEIGHT Kg
ST350A	Natural	350	10.0	2300	415 x 600 x 425	25
ST350AR	Red	350	10.0	2300	415 x 600 x 425	25
ST350AB	Black	350	10.0	2300	415 x 600 x 425	25
ST500A	Natural	500	13.0	2990	415 x 600 x 425	25
ST500AR	Red	500	13.0	2990	415 x 600 x 425	25
ST500AB	Black	500	13.0	2990	415 x 600 x 425	25

### DIMENSIONS

All measurements are in millimetres ~



~Line drawings not to scale

Page 1 of 1

December 2025



Roband Australia Pty Ltd

1 Inman Road, Cromer, NSW 2099

P +61 2 9971 1788 | E sales@roband.com.au | W roband.com.au