



# UST-SERIES

## 1-SECTION SOLID DOOR COMPACT FLAT LID PREP TABLE



Project Name:	Location:	AIA #:
Item #:	Qty:	Model #:
		SIS #:

### UST-SERIES - STAINLESS STEEL EXTERIOR & INTERIOR

### SPECIFICATIONS

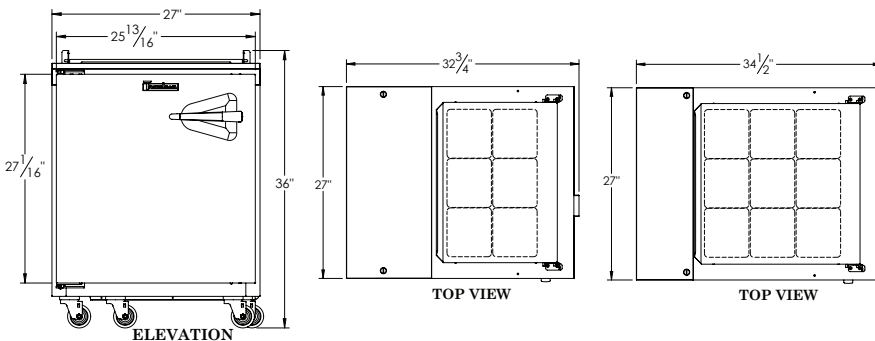
DIMENSIONAL DATA	
Capacity cu. ft.	7.35 (208.1 cu l)
Length in.	27 (68.6 cm)
276 Depth in. <sup>3</sup>	32-3/4 (83.2 cm)
279 Depth in. <sup>3</sup>	34-1/2 (87.6 cm)
Height in. <sup>2</sup>	36 (91.4 cm)
ELECTRICAL DATA	
Horsepower <sup>1</sup>	1/5
Amps	7.2
Voltage	115/60/1
NEMA	5-15P
REFRIGERATION DATA	
Refrigerant	R-290
Charge Amount oz.	3 (85 g)
BTU	1680



#### 27" WIDE MODELS

UST276-L	Hinged Left	(6) Pans
UST276-R	Hinged Right	(6) Pans
UST279-L	Hinged Left	(9) Pans
UST279-R	Hinged Right	(9) Pans

### PLAN VIEW



When ordering please specify:  
Voltage, Hinging, and Options



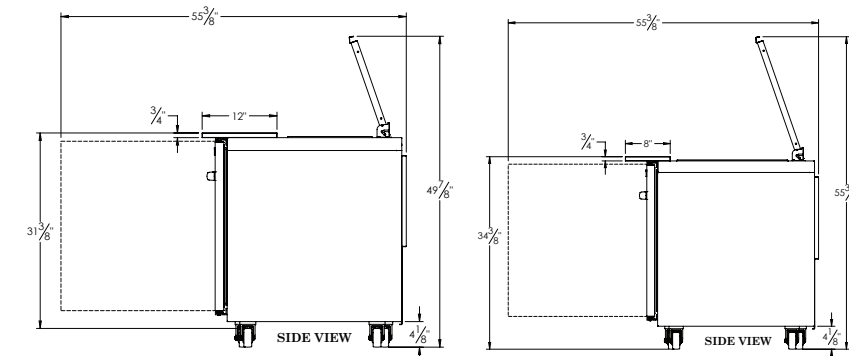
NEMA 5-15P

- Based on 90°F ambient & 20°F evaporator.
- Overall height includes 4" (10.2 cm) for casters.
- Overall depth includes standard cutting board.



Models listed to applicable UL, CSA, and NSF standards by an approved NRTL. Consult the factory or unit data plate for additional information.

Specifications subject to change without notice. Chart dimensions are rounded up to the nearest 1/16" (centimeters rounded up to the nearest tenth).





# UST-SERIES

## 1-SECTION SOLID DOOR COMPACT FLAT LID PREP TABLE



Project Name:	Location:	AIA #:	
Item #:	Qty:	Model #:	SIS #:

### REFRIGERATION SYSTEM

- Self-contained, rear-mounted system uses environmentally friendly, minimal GWP R-290 refrigerant
- Tested to NSF7 standards
- Front-breathing system allows zero-clearance installation
- High performance, balanced system operates at 34-38°F (1.1-3.3°C) to maintain consistent, food-safe temperatures
- Chambered, forced-air rail operation
- Specialized, clock-wise airflow design in cabinet base
- LED display for electronic control is water-resistant
- Capillary tube refrigerant metering
- Forced-air evaporator coil
- Non-electric condensate evaporator

### CABINET CONSTRUCTION

- Stainless steel exterior and interior
- Insulated stainless steel lid removable for easy cleaning
- Exterior back and bottom are constructed of heavy gauge galvanized steel
- Cabinet and door is insulated with an average of 2" (5.1 cm) thick high density, non-CFC foamed-in-place polyurethane
- (6) or (9) 4" deep 1/6 size polycarbonate pans; rail accommodates up to 6" deep pans
- 8" (20.3 cm) or 12" (30.5 cm) deep, full-length, removable NSF approved white polyethylene cutting board supplied standard
- Stainless steel divider bars provided
- A set of (4) 4" (10.2 cm) high casters; all with brakes
- 9' (2.7 m) cord & plug provided

### DOOR

- Door is self-closing with a stay-open feature
- Door is field reversible; requires new door
- Magnetic, snap-in EZ-Clean™ door gasket is chemical-resistant
- Guaranteed for life metal workflow door handle

### FACTORY-INSTALLED INTERIORS

- (2) adjustable, factory-installed coated wire shelves per section supported on pilasters

### FIELD-INSTALLED INTERIOR/SUPPORT OPTIONS

- Additional coated wire shelf (SHLF-CPW1)
- Set of (4) 2-1/2" (6.4 cm) casters (CK28)
- Set of (4) 2-3/4" (6.9 cm) casters (CK26)
- Set of (4) 3-1/2" (8.9 cm) casters (CK24)
- Set of (4) 6" (15.2 cm) casters (CK20)
- Set of (4) 6" (15.2 cm) legs (LK4)

### FACTORY-INSTALLED OPTIONS

- Stainless steel finished back (model number suffix -SB)

### WARRANTY

Both a six-year parts and labor warranty, and an additional one-year compressor parts warranty (for a total of seven years) are provided standard

CAD and/or Revit Files Available

<https://traulsen.klccad.com>

Approved by:	Approved by:	Date:
--------------	--------------	-------