

CULITEK Kegeators/Beer Dispensers

Models: MBD-2428, MBD-4824/2, MBD-5928/2, MBD-9028/2

EQUIPMENT THAT DOMINATES
For Culinary Professionals



MBD-2428



MBD-4824/2

Kegeators/Beer Dispensers

There is nothing more satisfying than an ice cold, frothy glass of beer straight from the keg! With Beer Dispensers from CULITEK, you keep the drinks flowing while enhancing the drink experience for beer enthusiasts. Choose 1-, 2-, and 3-door models in a wide range of sizes to accommodate a variety of keg barrels, both for use and storage. Locking doors conceal the contents inside and keep them secure after hours. The thick stainless steel top and built-in drip trays allow for easy clean-up. ETL Listed and ETL Sanitation, these units are backed with a 2 year warranty on parts and a 5 year warranty on the compressor.

Cooling System

- R290 hydrocarbon refrigerant is an environmentally-responsible choice for your business
- Condensing unit located behind front grill and slides out for easy cleaning
- Maintains a temperature range of 33°F to 41°F

Cabinet Construction

- Exterior is constructed of a durable black vinyl front and sides with an aluminum back.
- Countertop is all stainless steel
- All stainless steel interior, floor, and walls
- 3" diameter stainless steel insulated beer columns that has cold air directed into them to reduce foaming
- Insulated cabinet with foamed-in-place, high density cell polyurethane insulation

Electrical Control

- Carel temperature controller initiates automatic defrost cycle for worry-free use
- 7-foot power cord with NEMA 5-15 plug

Door(s)

- Lamined black vinyl exterior with heavy gauge steel liner
- 12" long recessed handles
- Positive seal doors
- Door locks on all models

Shelving

- Adjustable heavy-duty, PVC coated wire shelves
- Aluminum shelf support that are adjustable every 1/2"

Model Features

- Interior LED lighting provides greater visibility
- Stainless steel countertop is 1 1/2" thick
- Couplers included
- Model MBD-2428 comes standard with 4" casters, 2 locking wheels and 2 non-locking wheels

STANDARD FEATURES

- Heavy duty, wear resistant laminated black vinyl front and sides
- All stainless steel countertop, floor, and inner walls
- All stainless steel tap towers, 3" diameter insulated beer columns, and drip trays
- Balanced refrigeration system maintains temperature range of 33°F to 41°F
- Adjustable heavy-duty, PVC coated wire shelves
- Side mounted compressor
- Foamed-in-place insulation helps provide strength, while helping to maintain internal temperature
- Eco-friendly R290 hydrocarbon refrigerant
- Door locks keep contents secure



Attention CA Residents PROP 65 WARNING

This product can expose you to chemicals, including lead, which are known to the State of California to cause cancer, birth defects, or other reproductive harm.

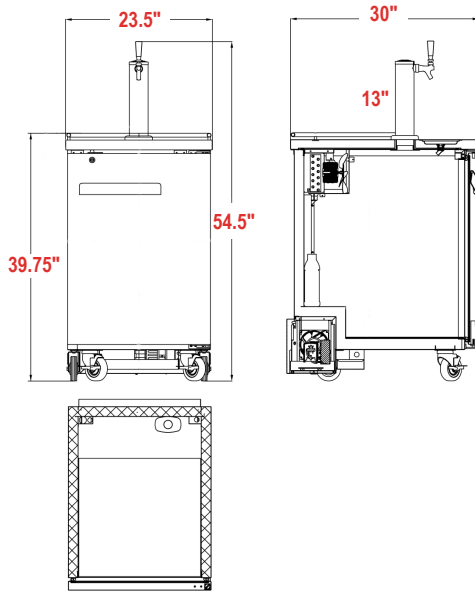
For more information, go to
www.P65warnings.ca.gov

MADE IN CHINA

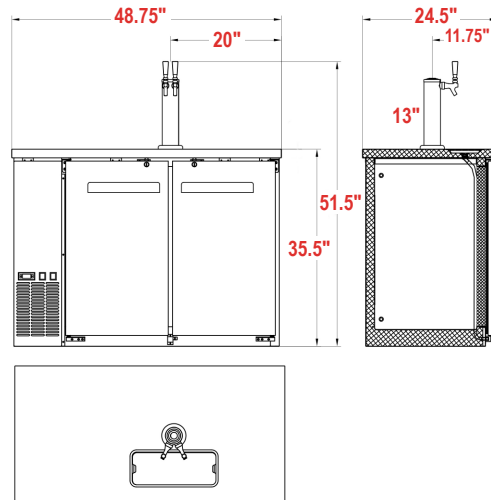


Kegeators/Beer Dispensers Specifications

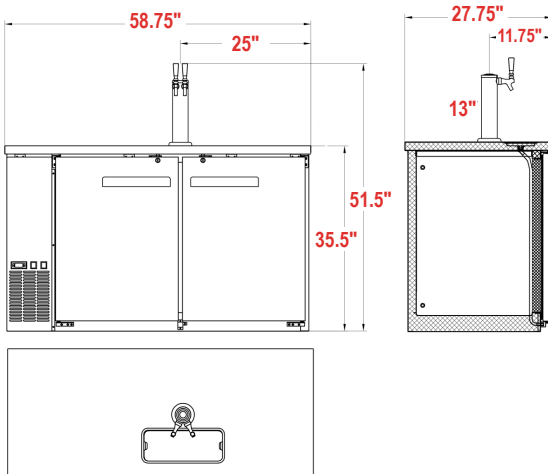
MBD-2428



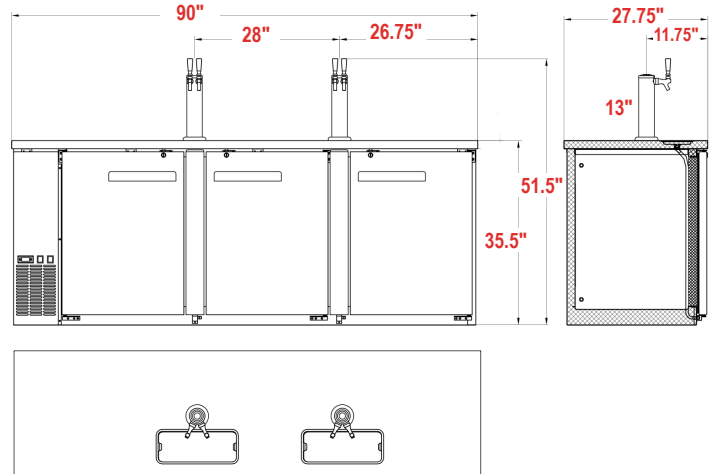
MBD-4824/2 (Narrow Depth)



MBD-5928/2



MBD-9028/2



KEGERATORS/BEER DISPENSERS

Model Number	MBD-2428	MBD-4824/2	MBD-5928/2	MBD-9028/2
Doors	1	2	2	3
Net Volume (Cu. Ft.)	6.5	11.8	19	32
Overall Dimensions (in)	23.5"Wx30"Dx39.75"H	48.75"Wx24.5"Dx35.5"H	58.75"Wx27.75"Dx35.5"H	90"Wx27.75"Dx35.5"H
Interior Dimensions (in)	17 ⁵ / ₁₆ "Wx16.5"Dx27 ⁵ / ₁₆ "H	36"Wx18.5"Dx29"H	46"Wx23"Dx30"H	80"Wx23"Dx30"H
Horsepower	1/6	1/5	1/5	1/4
Refrigerant	R290	R290	R290	R290
Voltage/Hertz/Phase	115/60/1	115/60/1	115/60/1	115/60/1
Amps	1.92	3	2.88	4.7
Net Weight (lbs)	143	187	260	364
Gross Weight (lbs)	187	231	304	408
Shipping Dimensions (in)	26"W x 32.25"D x 44.75"H	51"W x 27.5"D x 41.7"H	61.25"W x 30.5"D x 41.75"H	91.75"Wx30.5"Dx41.75"H
Tap Towers	1	1	1	2
Kegs (Half-Barrels)	1	2	2	4