

MULTI-FUNCTION

NORA
TIA



ARCOBALENO®
PASTA EQUIPMENT

AMF230/240

MIXER + SHEETER + CUTTER



STANDARD FEATURES

- Great for restaurants, chefs, gourmet shops and food services
- Industrial grade machine
- Adjustable sheeting rollers
- Hand rolled dough sheet to desired thickness
- Standard cutters include 2mm spaghetti, 6mm tagliatelle, 8mm fettuccine & 15mm pappardelle
- Cost-effective and easy to operate
- Factory and on-location training. The Only Full-Service Pasta Machine Manufacturer in North America!



RESTAURANT FAVORITE!

NORA
AMF230
Sheeter & Cutter

OPTIONAL FEATURES & ACCESSORIES

- Pasta trays - Perforated - Dim: 15.5"W x 23.5"D x 2.75"H
- Pasta trays - Solid - Dim: 15.5"W x 23.5"D x 2.75"H
- APC20 Mobile pasta cart with 20 trays
- Optional pasta cutters sizes:

1.5, 2, 2.5,	4, 5, 6,	6, 8, 10,	12, 15 & 18mm
SPAGHETTI	TAGLIATELLI	FETTUCCINE	PAPPARDELLE

TIA
AMF240
Mixer, Sheeter & Cutter

■ WARRANTY

One Year: For more information visit arcobalenollc.com/warranty.html



■ TRY BEFORE YOU BUY

In an effort to ensure success, we maintain a test kitchen where you can have your very own recipe tested for quality — at NO COST to you! Call for details.



MULTI-FUNCTION

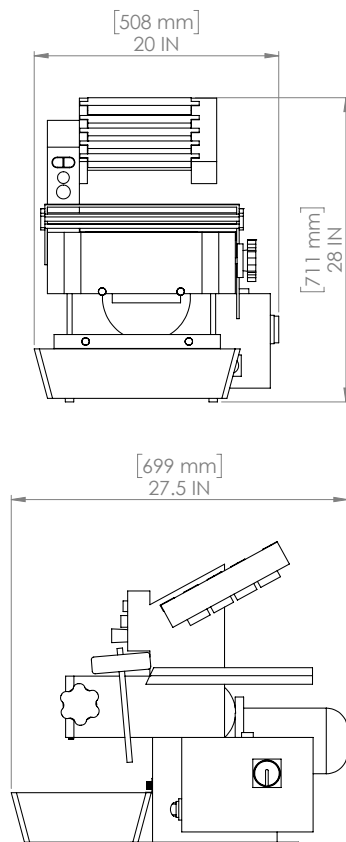


AMF230/240

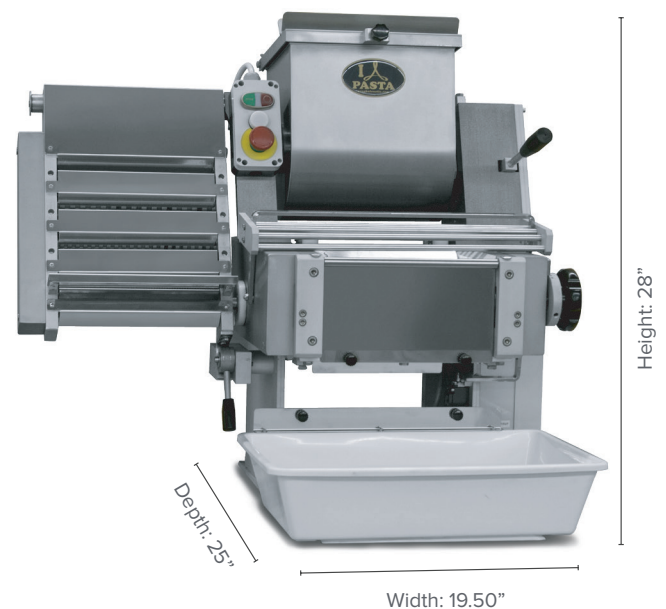
TECHNICAL SPECIFICATIONS

Model	AMF230	AMF240
Dough Sheet Width	9"	9.50"
Mixer Volume	N/A	18 lbs/batch
Pasta Cutter	4 Cuts (2,6,8 15mm)	4 Cuts (2,6,8 15mm)
Electrical Power	230V/1/60Hz (5 Amps @ 230V)	230V/1/60Hz (5 Amps @ 230V)
Nema Plug	6-15P	6-15P
Machine Dimension	20"W x 27.50"D x 28"H	40"w x 32"D x 35"H
Shipping Dimension	23"W x 32"D x 30"H	42"W x 35"D x 40"H
Net Weight	190 lbs	264 lbs
Shipping Weight	235 lbs	275 lbs
Shipping Class	85	85

AMF230 Sheeter & Cutter



AMF240 Mixer, Sheeter & Cutter



CAD file available. Please contact factory 717-394-1402. | Specifications subject to change without notice | © Copyright 2021 Arcobaleno®, LLC