



# SMARTVIDE XL 208-240/50-60/1

Maximum capacity: 120 l / 30 gal.



P/N 1180402



FOOD PRESERVATION AND SOUS-VIDE  
SMARTVIDE SOUS-VIDE COOKERS

## SALES DESCRIPTION

Commercial high-precision sous-vide cooker. Reliable, user-friendly, portable. Interchangeable between °C and °F.

- ✓ Bluetooth / WIFI connectivity.
- ✓ HACCP-ready.
- ✓ Optional core probe and temperature control by core probe.
- ✓ Firmware update.
- ✓ 5" colour touch screen.

## Sous-vide cooking, a technique with many advantages

- ✓ SmartVide guarantees cooking at a **precisely controlled temperature** while preserving the quality of the product, enhancing flavor and texture. Equipped with a highly precise temperature control system to obtain extremely consistent results.
- ✓ The **optional core probe** allows for an even more precise control when standardizing recipes. Recipes can be set and the SmartVide controlled by the core probe temperature.
- ✓ Allows cooking food in their own juice and using this juice immediately after cooking to **enhance flavors**.
- ✓ Marinates and macerates an ingredient in **half the time**.
- ✓ **Infuses and flavors** oil, fat or other products applying the controlled temperature technique.
- ✓ The possibility of probe activated cycle start is a crucial function for **pasteurization**.
- ✓ Increases **profits** due to lack of product shrink
- ✓ The possibility of connecting SmartVide X to an **enhanced tank** reduces heating time. This function is specially useful when cooking or retherming very cold or frozen food.

## SmartVide XL: designed for chefs, developed with chefs

- ✓ The thick stainless steel, robust construction guarantees commercial performance.

- ✓ Requires **very little hands-on time**, allowing the Chef to do other tasks while the product is being cooked. Just program temperature and time, SmartVide will do the rest.
- ✓ The interactive full-color touchscreen offers **all information at a glance** and makes operation extremely intuitive. In addition, thanks to the connectivity, an exchange of important data is allowed to improve the performance of the Chef.
- ✓ SmartVide XL offers a complete **settings menu**, accessible through its touch screen.
- ✓ **Portable**: thanks to their thick, stainless steel, ergonomic handle, SmartVide can be taken from a container to another easily. Additionally, the bag supplied with the circulator allows easy transport - wherever the Chef goes.
- ✓ **HACCP-ready**: thanks to Bluetooth connectivity, it is possible to export or print cooking results at the end of each cycle. Furthermore, the cooking data be consulted on the interactive touch screen at any time during the cycle.
- ✓ **Your appliance, always updated**: free firmware update, no matter where the appliance is with no need of additional appliances.

## INCLUDES

- ✓ Janby Track Mini.

## OPTIONAL

- |  |   |
|--|---|
| <input type="checkbox"/> Core probe.               | <input type="checkbox"/> Floating balls.  |
| <input type="checkbox"/> Insulated tanks.          | <input type="checkbox"/> Janby Track (available through <a href="https://eu.janby.kitchen/es/home">https://eu.janby.kitchen/es/home</a> )>janby.kitchen</a>). |
| <input type="checkbox"/> Heated tanks.             |   |
| <input type="checkbox"/> Lids for insulated tanks. |   |

## ACCESSORIES

- |  |  |
|--|--|
| <input type="checkbox"/> Needle probe for sous-vide cookers                | <input type="checkbox"/> Lid for SmartVide tanks       |
| <input type="checkbox"/> Probe foam seal                                   | <input type="checkbox"/> Floating balls for SmartVide  |
| <input type="checkbox"/> Insulated tank for SmartVide immersion circulator | <input type="checkbox"/> Heated tanks for SmartVide X  |
|  | <input type="checkbox"/> Heated tanks for SmartVide XL |
|  | <input type="checkbox"/> Baskets for 120P heated tank  |

## SPECIFICATIONS

### Temperature

Display precision: 0.01°C



SAMMIC, S.L. · Basarte, 1  
20720 AZKOITIA (Gipuzkoa) · SPAIN

COMPONENT

product sheet  
updated 05/11/2025



# SMARTVIDE XL 208-240/50-60/1

Maximum capacity: 120 l / 30 gal.



P/N 1180402

Range: 5°C - 95°C

Permissible ambient temperature: 5°C - 40°C

### Time

Resolution: 1'

Cycle duration: 1' - 99 h

### General features

Maximum recipient capacity: 120 l

Total loading: 2600 W

Electrical supply: 208-240 V / 50-60 Hz / 3~

Plug: USA (NEMA 6-20P / 2P)

Submergible part dimensions: 117 mm x 110 mm x 197 mm

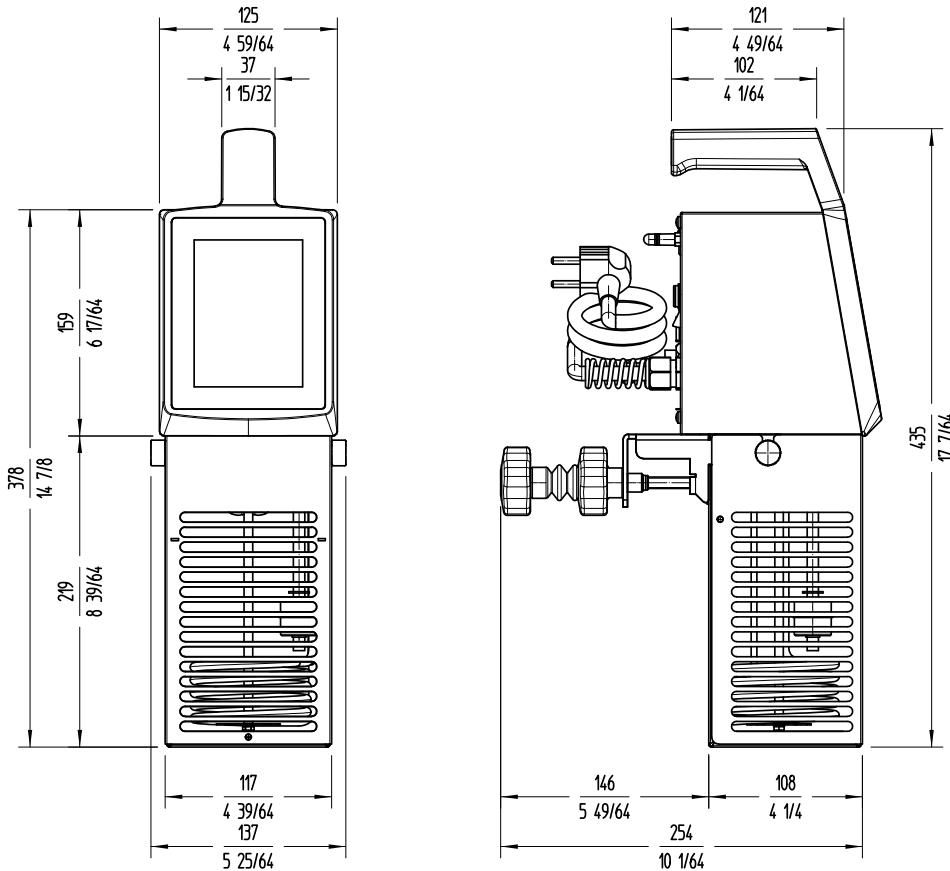
External dimensions (W x D x H): 125 mm x 148 mm x 435 mm

Net weight: 4,65 kg

Crated dimensions

506 x 178 x 310 mm

Gross weight: 6.65 kg



FOOD PRESERVATION AND SOUS-VIDE  
SMARTVIDE SOUS-VIDE COOKERS

**sammic** | sammic.com  
Food Service Equipment Manufacturer

Polígono Basarte, 1. phone +34 943 15 72 36  
20720 Azkoitia, Spain sales@sammic.com



Project	Date
Item	Qty
Approved	

product sheet  
updated 05/11/2025