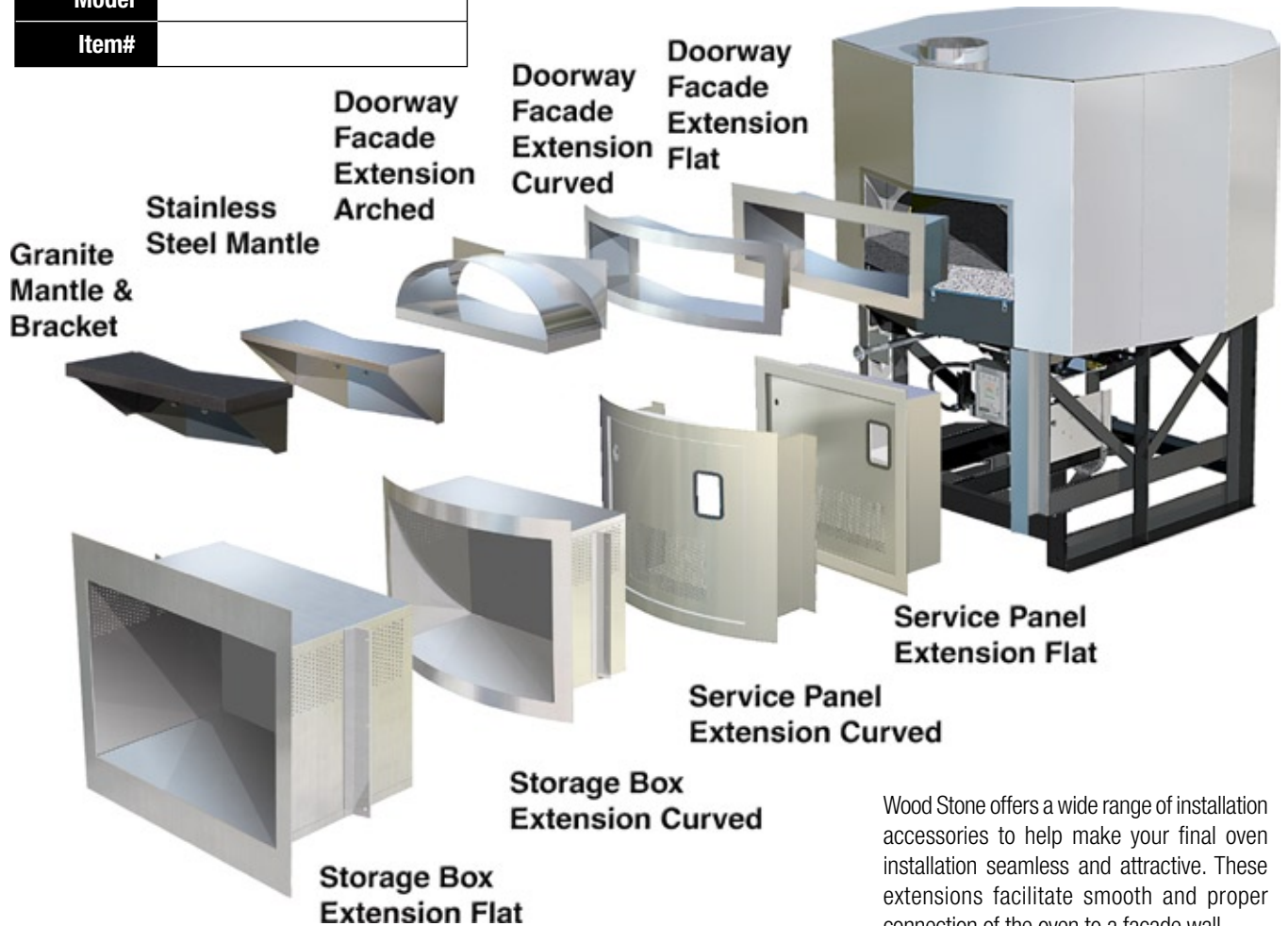




Job Name	
Model	
Item#	



Wood Stone offers a wide range of installation accessories to help make your final oven installation seamless and attractive. These extensions facilitate smooth and proper connection of the oven to a facade wall.

Visit our web site to view interactive facade tutorials!

The side walls of the extensions flare out slightly to enhance user accessibility and customer visibility.

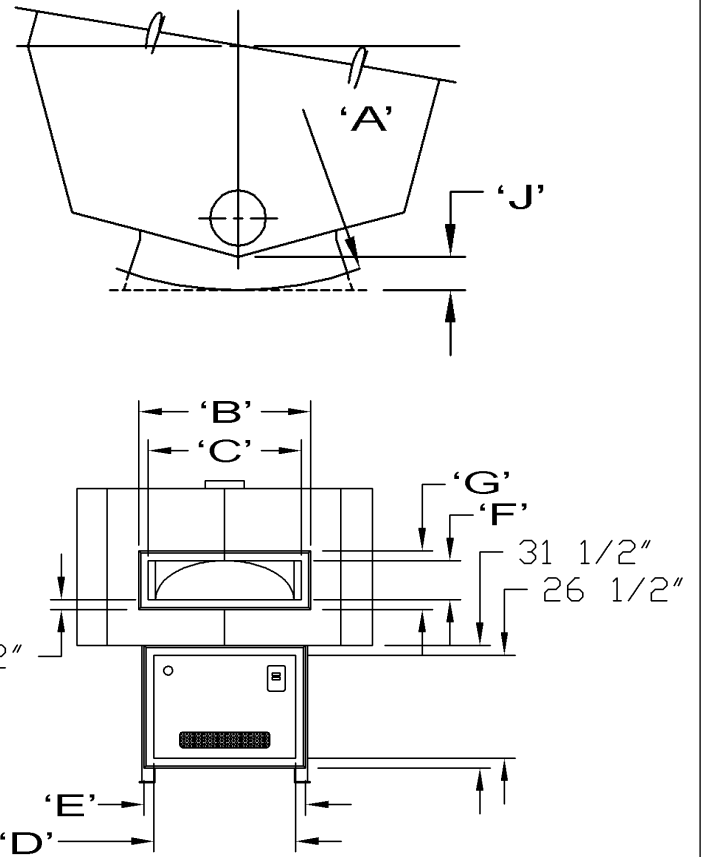
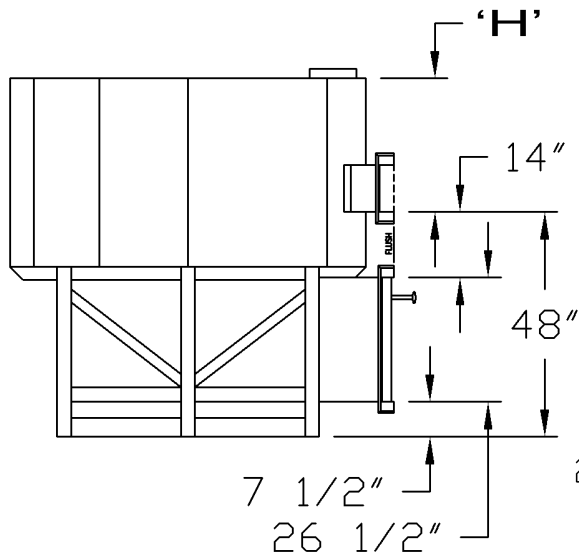
The extensions are in stainless or mild steel (painted black), with or without a black granite mantle.

NOTE: addition of granite increases dimensions F and G by 0.75-inches (below the doorway). The curved-face extensions are available in large or small radius styles.

See Reverse Side for Facade Extension Dimensions



Job Name	
Model	
Item#	



	'A'	'B'	'C'	'D'	'E'	'F'	'G'	'H'	'J'
4' CURVED	34 1/2"	29"	25"	29"	33 1/2"	10"	15"	28 1/2"	9 1/2"
4' FLAT	N/A	28 1/2"	19 11/16"	29"	34"	10"	15"	28 1/2"	6"
5' SMALL RADIUS	39"	39 1/2"	35"	30 1/2"	35"	10"	15"	28 1/2"	7"
5' LARGE RADIUS	57"	38"	33"	30 1/2"	35 1/2"	10"	15"	28 1/2"	5 1/2"
5' FLAT	N/A	40"	35"	30 1/2"	35 1/2"	10"	15"	28 1/2"	5 1/2"
6' SMALL RADIUS	45"	46"	41"	36 1/2"	41"	10"	15"	28 1/2"	7"
6' LARGE RADIUS	65 1/2"	44"	39 1/2"	36 1/2"	41 1/2"	10"	15"	28 1/2"	5 1/2"
6' FLAT	N/A	46"	41"	36 1/2"	41 1/2"	10"	15"	28 1/2"	5 1/2"
7' SMALL RADIUS	52"	53"	48 1/2"	42 1/2"	47"	12"	17"	33"	8"
7' LARGE RADIUS	75 1/2"	50 1/2"	45 1/2"	42 1/2"	47 1/2"	12"	17"	33"	5 1/2"
7' FLAT	N/A	53"	48"	42 1/2"	47 1/2"	12"	17"	33"	5 1/2"