

# SEAGATE



## Two Door Reach-In Freezer SKU: S2F

- Spacious: 47.30 cu ft capacity
- Durable: Stainless steel exterior, aluminum interior
- Efficient: Low energy usage (8.80 KW/24h)
- Convenient: Self-closing doors, LED lighting
- Certified: ETL Electrical, ETL Sanitation, DOE
- Mobility: Locking casters
- Powerful: Forced air freezing system with auto defrost
- Sleek: Stainless steel finish, swing doors



|                       |                  |
|-----------------------|------------------|
| Refrigerant           | R290             |
| Horsepower (HP)       | 1/2              |
| Voltage (V)           | 115V/60hz        |
| KW per 24h            | 8.80 kW.h/24h    |
| Wattage               | 738              |
| Weight (lbs)          | 183              |
| Shipping Weight (lbs) | 204              |
| Door Self closed      | Yes              |
| Interior Material     | Painted Aluminum |
| Exterior Material     | Stainless Steel  |
| Color                 | Silver           |
| Door Style            | Swing            |
| Door Type             | Solid            |
| Number of Doors       | 2                |
| Compressor Location   | Bottom Mounted   |
| Shelf Capacity (lbs)  | 85               |
| Plug Type             | NEMA 5-15P       |

Introducing our top-of-the-line two-door reach-in freezer, SKU S2F, meticulously designed to deliver exceptional performance and unwavering reliability to meet the demands of your commercial kitchen. This freezer showcases a capacious interior, with dimensions spanning 50 1/4 inches in width, 24 3/8 inches in depth, and 60 1/2 inches in height, providing an impressive storage capacity of 47.30 cubic feet, tailored to accommodate all your essential frozen goods.

Crafted with a robust stainless steel exterior and a pristine painted aluminum interior, this unit harmoniously merges durability with a polished and hygienic aesthetic. The substantial 2-inch insulation, featuring cyclopentane, guarantees optimum temperature retention, preserving your frozen products in impeccable condition.

| Item     | Width (Inch) | Depth (Inch) | Height (Inch) |
|----------|--------------|--------------|---------------|
| Exterior | 54.1         | 32           | 83.5          |
| Interior | 50 1/4       | 24 3/8       | 60 1/2        |

| Capacity (Cu Ft) | Number of Shelves | Casters  | Hotel Pan Size (inch) |
|------------------|-------------------|----------|-----------------------|
| 47.30            | 6                 | Included | 12 x 20               |

- **Heavy-duty:** Crafted with a sturdy stainless steel exterior, painted aluminum interior, and a reliable 304 stainless steel floor
- **Spacious:** Equipped with six epoxy-coated shelves, each capable of supporting up to 85 pounds
- **Insulated:** Features a substantial 2-inch insulation for optimum temperature retention
- **Powerful:** Driven by a robust 1/2 HP compressor
- **Efficient:** Low energy consumption with hydrocarbon based natural R290 refrigerant



Seagate Refrigeration | Burkett Restaurant Equipment and Supplies: 419-720-8186 | sales@burkett.com

Note: Specifications subject to change without notice  
Do not use in non-commercial or residential settings

Equipped with six sturdy epoxy-coated shelves, each with the capacity to support up to 85 pounds, you'll find ample storage space for your ingredients and products. The internal LED lighting ensures outstanding visibility, simplifying the task of locating items within.

Efficiency lies at the heart of this freezer's design, utilizing R290 refrigerant and powered by a commanding 1/2 horsepower compressor operating at 115V/60Hz. This translates to remarkably low energy consumption, a mere 8.80 KW per 24 hours, translating to significant long-term cost savings.

| Hinge Location | Amps (A) | Hertz (Hz) | Temperature Range | Caster Size (inch) |
|----------------|----------|------------|-------------------|--------------------|
| Left/Right     | 7.1A     | 60         | -8°F to -1°F      | 4.88               |

The Seagate brand is synonymous with uncompromising quality, and this freezer upholds that reputation. Whether you operate in the food service industry or a commercial kitchen, you can entrust this unit to maintain your products at their desired frozen temperatures, safeguarding their freshness and quality.

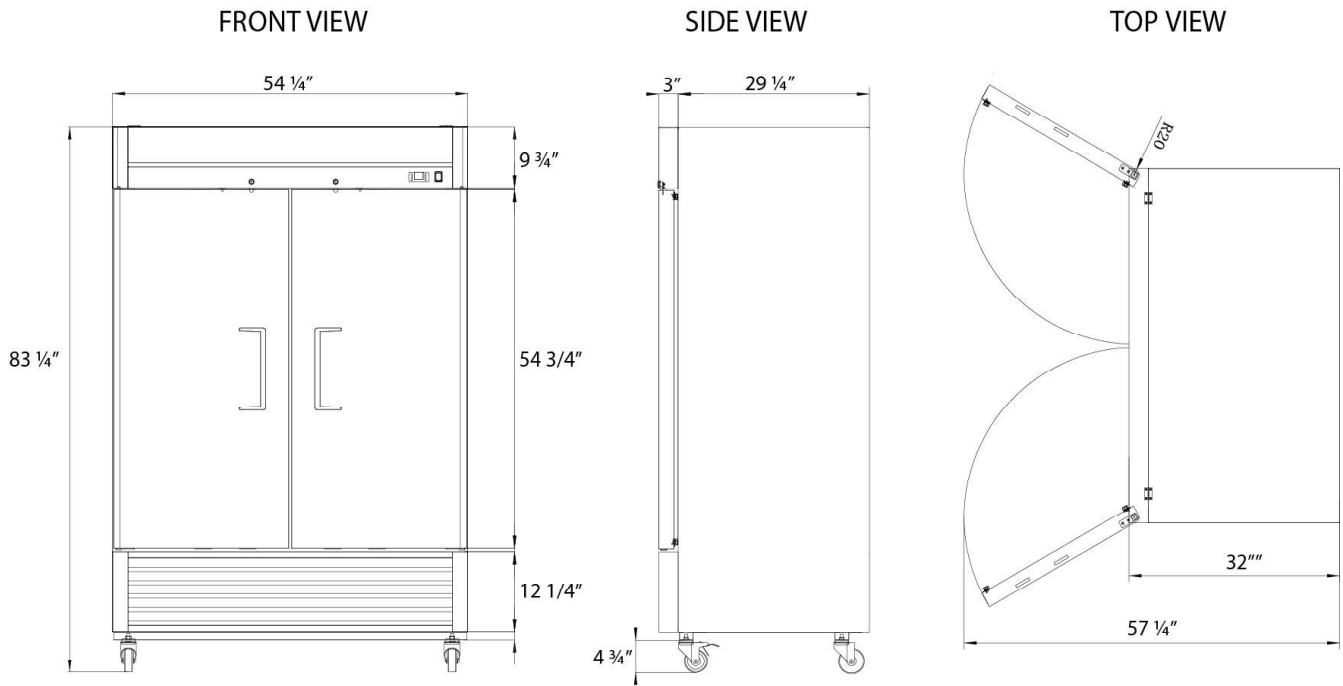
### Two Door Reach-In Freezer **SKU: S2F**

The self-closing doors not only add convenience but also boost energy efficiency by securely locking when necessary. The unit's mobility is effortlessly enabled by 4 7/8 inch casters, with the option to lock two of them in place to ensure stability.



Invest in the future of your business with our S2F two-door reach-in refrigerator. It's a powerful, energy-efficient, and dependable addition to any kitchen, designed to meet your needs for years to come.

## Technical Data:



One Door Reach-In Freezer  
**SKU: S2F**

**Seagate's  
Comprehensive Warranty:**

