

## "2PB" PRO-BOWL COMPARTMENT SINKS 16GA

### 2 Compartment - 16GA w/Stainless Steel Base

#### FEATURES:

- Standard 16GA Type 300 Stainless Steel w/#4 Polish, Satin Finish
- 12" Or 14" Deep Bowls
- All Corners, Both Vertical & Horizontal, Coved At 5/8" Radius
- Bottoms Of Bowls Formed For Drainage To 3-1/2" Diameter Die Stamped Opening
- Full Length 10" High Boxed Backsplash, w/2" Return To Wall At 45 Degree & 3/4" Turned Down Rear Lip
- 8" On-Center, 1" Faucet Holes In Backsplash
- Solid Stainless Steel Front Panel, Type 300 Stainless Steel w/#4 Polish, Satin Finish
- All Outside Corners Of Assembly Are Bullnosed To Provide Safe, Clean, & Polished Edge

#### SPECIFICATIONS:

- Top: Stainless Steel Sinks Are Tig Welded, Exposed Welds Are Polished To Match Adjacent Surface
- Base: Stainless Steel Bases, Standard Knocked-Down
- Bowls & Top: 16GA Type 300 Stainless Steel w/#4 Polish, Satin Finish
- Legs: 1-5/8" Round O.D. Stainless Steel
- Bracing: 1-1/4" Round O.D. Stainless Steel
- Gussets: Stainless Steel
- Feet: 1" Adjustable Stainless Steel Bullet Feet



2PB1618

#### CERTIFICATIONS:



#### ACCESSORIES

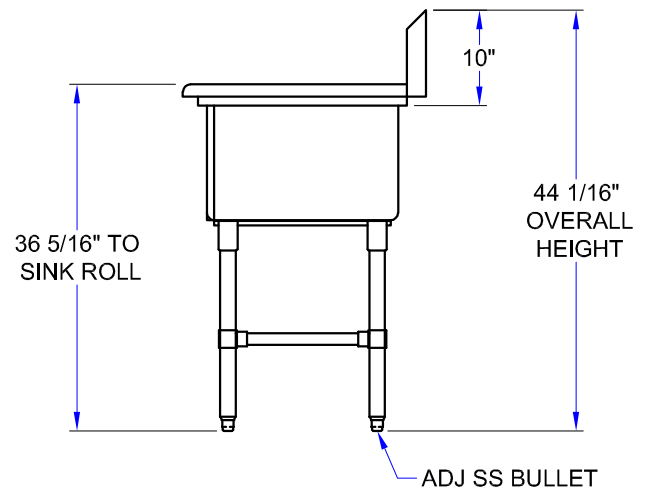
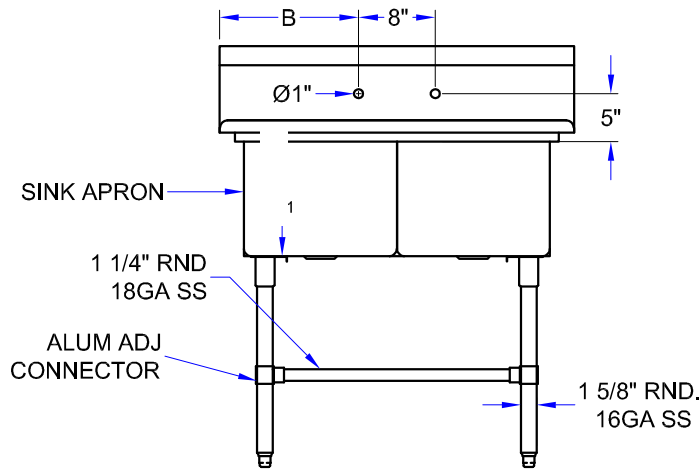
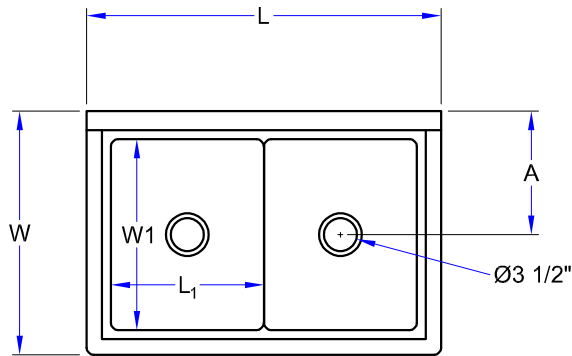
MODEL
End Splashes, R, L, Or Both
Faucets
Add-A-Faucets
Pre-Rinse Units
Lever Waste
Overshelves
Pot Rack

#### "2PB" PRO-BOWL COMPARTMENT SINKS

12" DEEP (D')	WT. (LBS)	14" DEEP (D')	WT. (LBS)	OVERALL LENGTH (L)	OVERALL WIDTH (W)	INSIDE LENGTH (L')	INSIDE WIDTH (W')	A	B
2PB1618	67	2PB16184	72	37-1/8"	23-1/2"	16"	18"	11-15/16"	14-9/16"
2PB1620	70	2PB16204	76	37-1/8"	25-1/2"	16"	20"	12-15/16"	14-9/16"
2PB18	72	2PB184	77	41-1/8"	23-1/2"	18"	18"	11-15/16"	16-9/16"
2PB1824	81	2PB18244	87	41-1/8"	29-1/2"	18"	24"	14-15/16"	16-9/16"
2PB20	83	2PB204	88	41-1/8"	25-1/2"	20"	20"	12-15/16"	16-9/16"
2PB24	96	2PB244	103	53-1/8"	29-1/2"	24"	24"	14-15/16"	22-9/16"
2PB3024	111	2PB30244	119	65-1/8"	29-1/2"	30"	24"	14-15/16"	28-9/16"

ALL DIMENSIONS ARE TYPICAL. TOLERANCE +/- .500". JOHN BOOS & CO. RESERVES THE RIGHT TO CHANGE SPECIFICATIONS WITHOUT NOTICE.

# DETAILED SPECIFICATIONS



## "2PB" PRO-BOWL COMPARTMENT SINKS

12" DEEP (D')	WT. (LBS)	14" DEEP (D')	WT. (LBS)	OVERALL LENGTH (L)	OVERALL WIDTH (W)	INSIDE LENGTH (L')	INSIDE WIDTH (W')	A	B
2PB1618	67	2PB16184	72	37-1/8"	23-1/2"	16"	18"	11-15/16"	14-9/16"
2PB1620	70	2PB16204	76	37-1/8"	25-1/2"	16"	20"	12-15/16"	14-9/16"
2PB18	72	2PB184	77	41-1/8"	23-1/2"	18"	18"	11-15/16"	16-9/16"
2PB1824	81	2PB18244	87	41-1/8"	29-1/2"	18"	24"	14-15/16"	16-9/16"
2PB20	83	2PB204	88	41-1/8"	25-1/2"	20"	20"	12-15/16"	16-9/16"
2PB24	96	2PB244	103	53-1/8"	29-1/2"	24"	24"	14-15/16"	22-9/16"
2PB3024	111	2PB30244	119	65-1/8"	29-1/2"	30"	24"	14-15/16"	28-9/16"

ALL DIMENSIONS ARE TYPICAL. TOLERANCE +/- .500". JOHN BOOS & CO. RESERVES THE RIGHT TO CHANGE SPECIFICATIONS WITHOUT NOTICE.