



The Signature of Quality®

FEDERAL INDUSTRIES

A Standex Company
215 Federal Avenue
Belleville, WI 53508-9201

Phone: 800-356-4206
Fax: 608-424-3234
Email: geninfo@federalind.com
Website: www.federalind.com

Project Name: _____

Item #: _____

Model #: _____ Qty: _____

Approval: _____

AIA#

SIS#

UNDER COUNTER SL - Curved Ends, Refrigerated, Self-Serve Display Case

Incorporate into your own counter to drive product sales. The under-counter merchandiser will entice customers with last minute impulse sales through visual appeal.



Shown with optional accessories

MODEL	DIMENSIONS (Includes End Panels)
<input type="checkbox"/> UCRSL3633C	35.7 x 24 x 32.5 (in) 907 x 610 x 826 (mm)
<input type="checkbox"/> UCRSL4833C	47.7 x 24 x 32.5 (in) 1212 x 610 x 826 (mm)
<input type="checkbox"/> UCRSL6033C	59.7 x 24 x 32.5 (in) 1516 x 610 x 826 (mm)
<input type="checkbox"/> UCRSL7233C	71.7 x 24 x 32.5 (in) 1821 x 610 x 826(mm)

STANDARD FEATURES

Model Features

- Black interior
- Curved glass ends
- Black top
- Black 1 step riser
- Black powder coated steel base
- Black exterior. Other finishes optional
- Light and power switch on back of case
- Front access to refrigeration system for quick and easy service
- Cord & plug
- Recessed casters with adjustable leg levelers

Refrigeration

- On-Demand PTC condensate evaporator provided for a totally self-contained system
- Electronic temperature controls maintain 38°-40°F
- Easy clean, rustproof insulated evaporator coil compartment
- Rear condensing unit air intake & discharge
- R290 Refrigerant
- Thermometer

Lighting

- 3500 LED top light

Agency Approvals

- UL, C-UL and UL Sanitation listed to NSF-7, Type I conditions
- DOE 2017 compliant

OPTIONAL ACCESSORIES

- | | |
|--|--|
| <input type="checkbox"/> White or stainless interior (Including step riser or shelf) | <input type="checkbox"/> Condensate pump |
| <input type="checkbox"/> Glass, stainless steel, white or black solid shelf w/ LED light | <input type="checkbox"/> 6" Legs |
| <input type="checkbox"/> Special exterior finish | <input type="checkbox"/> 4" Casters |
| <input type="checkbox"/> Reflective end glass panels | <input type="checkbox"/> Rear air intake front discharge |
| <input type="checkbox"/> Energy saving night curtain | |
| <input type="checkbox"/> Security night cover | |



WARRANTY*
One year Parts and Labor
2nd thru 5th year part
only service compressor
(U.S.A and Canada)



Note: Information is subject to change at any time.
Visit www.federalind.com for the most current specs.

Revised 4/21/2026

AIA#

UNDER COUNTER SL - Curved Ends, Refrigerated, Self-Serve Display Case

SIS#

Product Specifications

Intended Environment: Type I- Designed to operate in maximum ambient conditions of 75°F (24°C) and 55% relative humidity.

Zone	Intended Product To Be Displayed	Avg Prod Temp °F/°C
All	Packaged Refrigerated Products	38°F / (3.3°C)

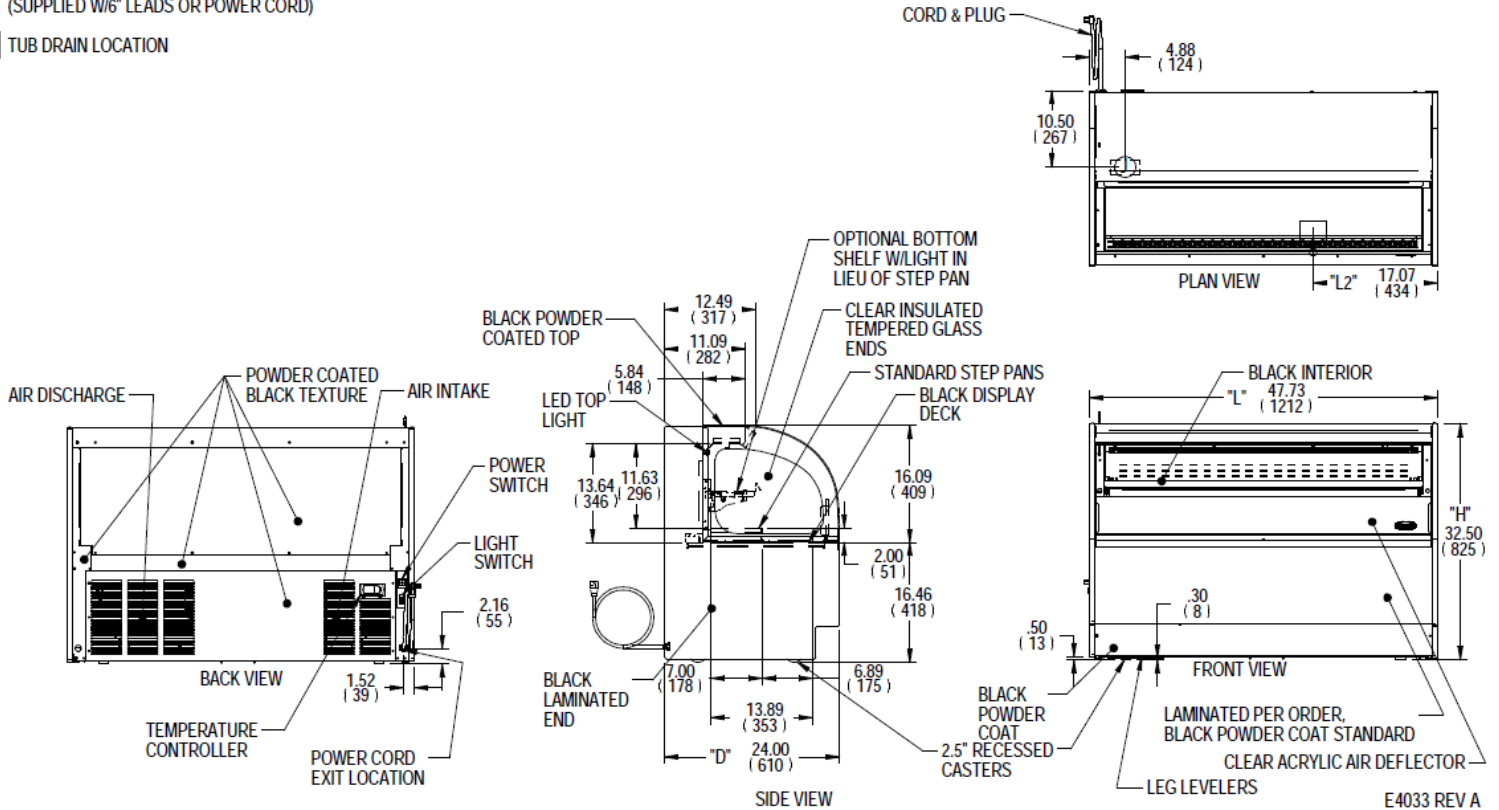
DIMENSION: xx"/(mm)

DIMENSION TOLERANCE +/- 0.25 (6.4)

SYMBOL KEY:

Ⓝ ELECTRICAL JUNCTION BOX
(SUPPLIED W/6" LEADS OR POWER CORD)

□ TUB DRAIN LOCATION



MODEL	DIMENSION			TUB DRAIN	STEP RISER	INTERIOR VOLUME CU FT	ELECTRICAL 2-WIRE + GROUND	SELF CONTAINED STANDARD CONNECTION CORD & PLUG			REFRIGERANT	CONDENSATE REMOVAL	SHIP WEIGHT		
	L	D	H	L2	# OF STEPS			D	L	AMPS				MAX FUSE SIZE	NEMA CORD & PLUG
	in	in	in	in				in	in						
	mm	mm	mm	mm				mm	mm						
UCRSL3633C	35.7	24.0	32.5	8.01	1	7.00	33.6	2.72	120/60/1	10.0	15	5-15	R290	CONDENSATE PAN	365 LBS
	907	610	826	203		178	853								166 KILO
UCRSL4833C	47.7	24.0	32.5	17.01	1	7.00	45.6	3.67	120/60/1	10.0	15	5-15	R290	CONDENSATE PAN	495 LBS
	1212	610	826	432		178	1158								224 KILO
UCRSL6033C	59.7	24.0	32.5	22.01	1	7.00	57.6	4.62	120/60/1	16.0	20	5-20	R290	CONDENSATE PAN	620 LBS
	1516	610	826	559		178	1463								281 KILO
UCRSL7233C	71.7	24.0	32.5	28.01	1	7.00	69.6	5.58	120/60/1	16.0	20	5-20	R290	CONDENSATE PAN	750 LBS
	1821	610	826	711		178	1768								340 KILO

- Case temperature will vary if the air curtain is disrupted.
- Due to continuing engineering improvements, specifications are subject to change without notice.



The Signature of Quality

FEDERAL INDUSTRIES

A Standex Company

215 Federal Avenue Belleville, Wisconsin 53508-9201

Phone: 800-356-4206

Fax: 608-424-3234

Email: Geninfo@Federalind.com

Website: Federalind.com