

CARTS

STAINLESS STEEL UTILITY CART

KELMAX by
SPG



ITEM # _____ MODEL # _____ QTY: _____

PROJECT: _____

OPTIONS: YES _____ NO _____

Standard Features & Benefits

- ◆ 16-gauge, 304 Stainless Steel construction for Heavy-Duty workloads
- ◆ Shelves have hemmed edges and are reinforced for extra durability
- ◆ Load capacity is 700 lbs.
- ◆ Custom sizes available upon request



Standard Units

Model No.	# Of Shelves	Shelf Spacing	Shelf Size (in.)	L x W x H		Weight	
				(in.)	(mm.)	(lbs.)	(kg.)
4J0473	2	23 1/4	18 x 32	37 1/2 x 19 1/2 x 37	953 x 496 x 940	74	34
4J0407	3	11	18 x 32	37 1/2 x 19 1/2 x 37	953 x 496 x 940	90	41
4J0204	2	23 1/4	21 x 33	38 1/2 x 22 1/2 x 37	978 x 572 x 940	81	37
4J0207	3	11	21 x 33	38 1/2 x 22 1/2 x 37	978 x 572 x 940	99	45
4J0215	2	23 1/4	21 x 49	54 1/2 x 22 1/2 x 37	1382 x 572 x 940	99	45
4J0217	3	11	21 x 49	54 1/2 x 22 1/2 x 37	1382 x 572 x 940	123	57

For SPG's complete product menu, visit www.spgusa.com or call 877.503.4SPG (4774)

EXPECT MORE
SPG
STORAGE PRODUCTS GROUP

CARTS

SPECIFICATIONS

SHELVES:

Constructed of 16-gauge stainless steel, hemmed with three lips up and one down, and reinforced tube underneath shelves.

HANDLE:

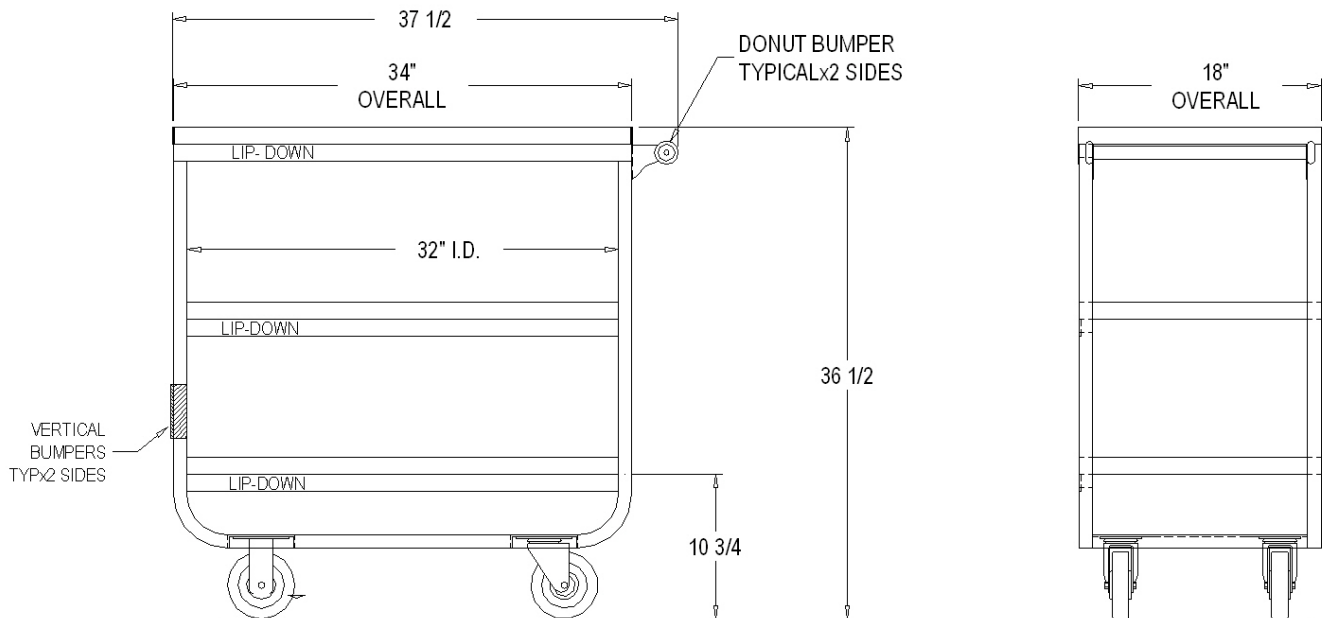
Consists of 16-gauge 1" stainless steel tubing bolted to the unit.

FRAME AND WHEEL CHANNEL:

Frame is made of bent 16-gauge, 1" square stainless steel tubing with 11-gauge stainless steel formed wheel plates welded in between frame.

CASTERS:

Unit comes with standard 5" x 2" polyurethane plate casters, two (2) swivel and two (2) rigid, bolted to the frame.



4J0407

AMCO • Freestyle • ISS • Kelmax • LPI • Universal Stainless • Gillis-Jarke

SPG International, LLC
11230 Harland Drive NE
Covington, GA 30014
877-503-4SPG (4774)

www.spgusa.com

The best names in the business
all have one thing in common.

EXPECT MORE
SPG
STORAGE PRODUCTS GROUP