

Air Deck Gas Deck Ovens

Project _____
 Item _____
 Quantity _____
 CSI Section 11400
 Approved _____
 Date _____

Models

- G56PB
- G56PT
- G56PT/B



Model G56PT



Model G56PT/B

Standard Features

- Standard Features:
- Stainless Steel Front, Sides, Top, Back and Legs
- Porcelainized Control Panel
- Full Deck Width, Balanced Spring-Loaded Door
- Stainless Steel Perforated Deck
- Adjustable Legs
- Electronic Ignition
- Snap Action Thermostat (550° F Max.)
- Heat Control Damper System
- Forced Air Combustion Burner; 80,000 BTU
- Single Speed Fan with ¾ HP Motor
- 55.5"W x 35.75"D Deck Surface
- 63"W x 45"D Floor Space
- 53"W x 7½"H Door Opening
- One Year Limited Parts and Labor Warranty (USA & Canada only)

Options & Accessories

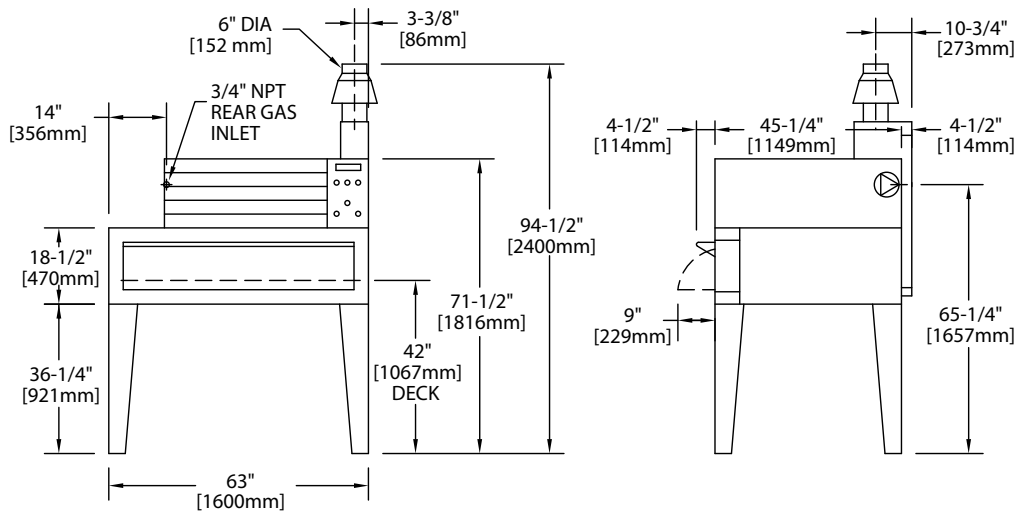
- Direct Connect Vent - No charge

Specifications

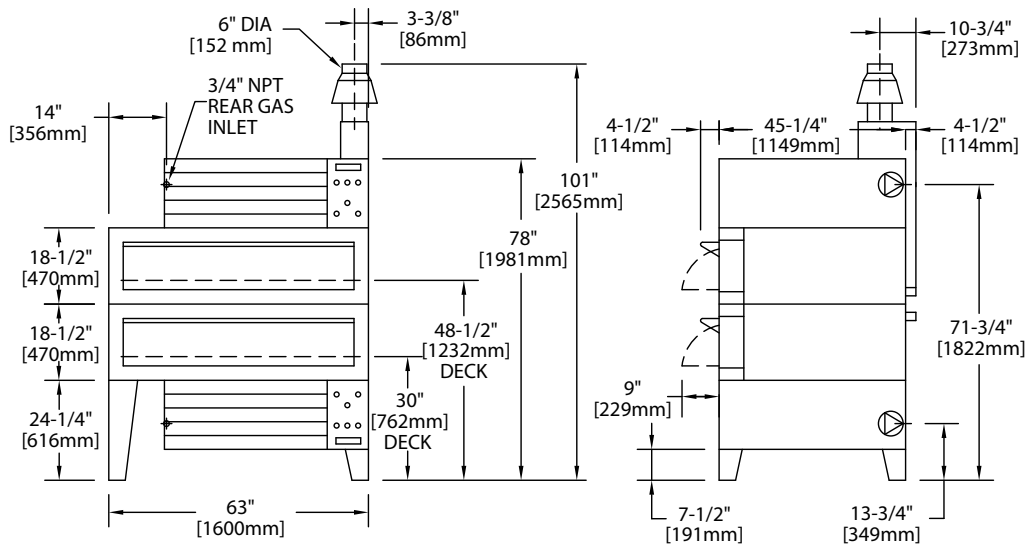
Unique energy delivery system driven by controlled hot air flow designed for high volume operation. Offers minimum preheat time; no recovery time; consistent selected temperatures; high quality production, and menu versatility. Available in natural or propane gas.



Air Deck Gas Deck Ovens



Deck with top power module and Direct Connect Venting



Deck (1) top power module (1) bottom power module and Direct Connect Venting

Model	Input (BTU)	Deck : In (mm)		Pizza Capacity	Motor	Cu Ft	Ship WT. lb/Kg
		Width	Depth				
G56PB	80,000	35.75(908)	55.5(1410)	(6) 18"	120V, 1PH, 60Hz	95	1000 /455
G56PT	80,000	35.75(908)	55.5(1410)	(6) 18"	15 Amps	95	1000 /455
G56PT/B	160,000	2@35.75(908)	2 @55.5(1410)	(12) 18"	(1 per deck)	190	2000 /910

Gas input ratings shown here are for installations tip to 2,000 feet (610mm) above sea level.
BTU input ratings must be derated for high altitude installations.

Manifold Operating Pressure		Minimum Clearances				
		Installation to Combustible Wall			Entry	
Nat	Pro	Sides	Rear	Base	Crated	Uncrated
3.5" WC	10.0" WC	6" (152mm)	6" (152mm)	8" (203mm)	45" (1143mm)	35-1/2" (902mm)

Welbilt reserves the right to make changes to the design or specifications without prior notice.