

# SEAGATE



## 2 Door Refrigerated Pizza Prep Table | **SKU: SP67**

- Spacious: 20.8 cu ft capacity
- Durable: Stainless steel exterior, painted aluminum interior
- Efficient: Low energy usage (4.88 kW/24h)
- Convenient: Self-closing doors, efficient LED lighting
- Certified: ETL Electrical, ETL Sanitation, DOE
- Mobility: Locking casters
- Powerful: 1/4 HP compressor
- Sleek: Stainless steel finish, swing-style solid doors



<b>Refrigerant</b>	R290
<b>Horsepower (HP)</b>	1/4
<b>Voltage (V)</b>	115V/60Hz
<b>KW per 24h</b>	4.88 kW.h/24h
<b>Wattage</b>	479
<b>Shipping Weight (lbs)</b>	382.5
<b>Door Self Closed</b>	Yes
<b>Interior Material</b>	Painted Aluminum
<b>Exterior Material</b>	Stainless Steel
<b>Color</b>	Silver
<b>Door Style</b>	Swing
<b>Door Type</b>	Solid
<b>Number of Doors</b>	2
<b>Compressor Location</b>	Rear Mounted
<b>Shelf Capacity (lbs)</b>	85
<b>Plug Type</b>	NEMA 5-15P

Introducing our top-tier two-door commercial pizza prep table, model SP67, meticulously crafted to provide outstanding performance and reliability for your commercial kitchen. This pizza prep table boasts an expansive interior, featuring precise dimensions of 63 inches in width, 26 inches in depth, and 26 1/2 inches in height, offering ample storage with a substantial capacity of 20.8 cubic feet, thoughtfully designed to accommodate all your refrigerated items.

Crafted with a sturdy stainless steel exterior and a clean, easy-to-maintain painted aluminum interior, this unit seamlessly combines durability with a hygienic aesthetic. The thick 2-inch insulation, utilizing cyclopentane, ensures superior temperature control, preserving the freshness of your stored products.

Item	Width (Inch)	Depth (Inch)	Height (Inch)
<b>Exterior</b>	67	32 1/4	41 3/4
<b>Interior</b>	63	26	26 1/2

Capacity (Cu Ft)	Number of Shelves
20.8	2

- **Heavy-duty:** Crafted with a robust stainless steel exterior, a pristine painted aluminum interior, and a dependable 304 stainless steel floor
- **Spacious:** Equipped with 2 epoxy-coated shelves, each with the capacity to support up to 85 pounds
- **Insulated:** Boasts a substantial 2-inch insulation for optimal temperature retention
- **Powerful:** Driven by an accurate 1/4 HP compressor for superior performance and reliability
- **Efficient:** Low energy consumption with hydrocarbon based natural R290 refrigerant



Equipped with two robust shelves, each with a capacity to support up to 85 pounds, you'll find ample storage space for your ingredients and items. The built-in LED lighting guarantees exceptional visibility, simplifying the task of locating items within.

This pizza prep table is energy-efficient, utilizing eco-friendly R290 refrigerant and powered by a 1/4 horsepower compressor operating at 115V/60Hz. This translates to remarkably low energy consumption, merely 4.88 kW.h/24h, leading to significant long-term cost savings.

Hinge Location	Amps (A)	Hertz (Hz)	Temperature Range
Right/Left	4.7	60	32°F to 40°F
Phase	Plastic Food Pans	Casters	Caster Size (inch)
1	Included	Included	5.75

The **Seagate** brand is synonymous with unwavering quality, and this pizza prep table is no exception. Whether you operate within the foodservice industry or a commercial kitchen, you can rely on this unit to maintain your products at their desired refrigerated temperatures, preserving their freshness and quality.

### 2 Door Refrigerated Pizza Prep Table | SKU: SP67

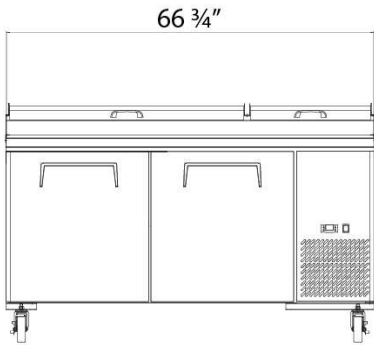
The self-closing doors not only enhance convenience but also contribute to energy efficiency by securely locking when needed. The unit's mobility is effortlessly facilitated by four 5 3/4-inch casters, ensuring stability.



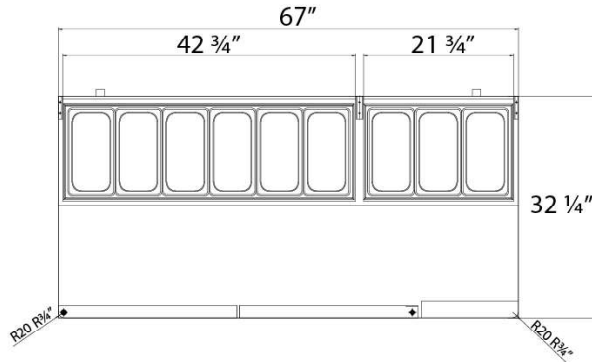
Invest in the future of your business with our SP67 two-door commercial pizza prep table, perfect for your pizza prep needs. It embodies a powerful, energy-efficient, and reliable addition to any kitchen, meticulously designed to meet your needs for many years to come. And don't forget to explore our selection of pizza prep tables and other equipment to streamline your pizza-making process.

# Technical Data:

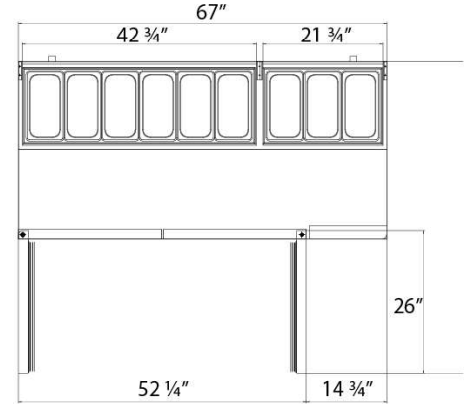
FRONT VIEW



TOP VIEW



TOP VIEW



2 Door Refrigerated Pizza Prep Table  
**SKU: SP67**

**Seagate's  
Comprehensive Warranty:**



SIDE VIEW

