



C-SERIES

4-LEVEL UNDERCOUNTER WORKTOP BLAST CHILLER



Project Name:	Location:	AIA #:
Item #:	Qty:	Model #:
		SIS #:

C-SERIES - STAINLESS STEEL EXTERIOR & INTERIOR



Shown without worktop

MODEL	HINGING
CLBC4-WT-R	Right
CLBC4-WT-L	Left

SPECIFICATIONS

DIMENSIONAL DATA	
Capacity cu. ft.	9.3 (263.4 L)
Length in.	54-1/8 (137.5 cm)
Depth in.	35-15/16 (91.3 cm)
Overall Height in. ²	35-13/16 (91 cm)
# Shelves	4
Pan Capacity	(4) 18" x 26" (8) 12" x 20"
Capacity lbs.	80 (36.3 kg)
ELECTRICAL DATA	
Horsepower ¹	1
Amps	16
Voltage	115/60/1
NEMA	5-20P
# Ground Feed Wires	3
REFRIGERATION DATA	
Refrigerant	R-290
Charge Amount oz.	5.3 (150 g)
BTU	4510

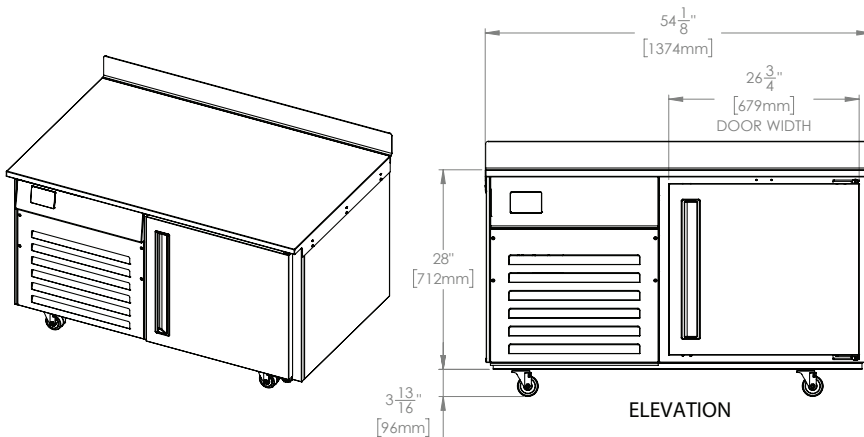
When ordering please specify:
Voltage, Hinging, and Options



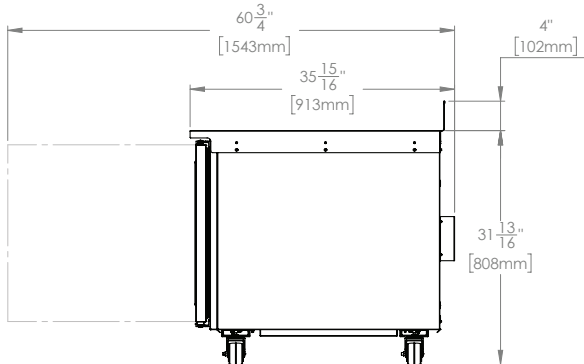
NEMA 5-20P

- Based on 90°F ambient & 0°F evaporator.
- Overall height includes 4" (10.2 cm) for casters.

PLAN VIEW



ELEVATION



SIDE VIEW



Intertek



Intertek



Models listed to applicable UL, CSA, and NSF standards by an approved NRTL. Consult the factory or unit data plate for additional information.

Specifications subject to change without notice. Chart dimensions are rounded up to the nearest 1/16" (centimeters rounded up to the nearest tenth).



C-SERIES

4-LEVEL UNDERCOUNTER WORKTOP BLAST CHILLER



Project Name:	Location:	AIA #:	
Item #:	Qty:	Model #:	SIS #:

REFRIGERATION SYSTEMS

- Self-contained, left-hand refrigeration system uses environmentally friendly, minimal GWP R-290 refrigerant
- Quickly and safely chills hot food directly from the oven to under 41°F (5°C)
- Easy to clean, front-facing condenser coil
- Thermostatic expansion valve metering device
- High speed evaporator fans
- Automatic hot gas defrost

CONTROLLER

- 2.8" water-resistant, digital display with (5) capacitive keys is front-mounted and easy to use
- (2) chill modes: hard chill and soft chill
- Program by adjustable product target temperatures; 40-32°F (5-0°C) or cycle times

CABINET CONSTRUCTION

- Stainless steel exterior and interior
- 4" (10.2 cm) high stainless steel backsplash
- Exterior back and bottom are constructed of heavy gauge galvanized steel
- (1) water-proof probe provided; monitors cycle progress
- Both the cabinet & door is insulated with an average of 2" (5.1 cm) thick high density, non-CFC foamed-in-place polyurethane
- A set of (4) 4" (10.2 cm) high casters; on adjustable channel system
- 8' (2.4 m) cord & plug provided

DOOR

- Stainless steel gasket-protecting door pan
- Door is self-closing with a stay-open feature
- Magnetic, snap-in door gasket
- Anti-condensate heaters located behind door opening

INTERIORS

- (4) epoxy-coated wire shelves

FACTORY-INSTALLED OPTIONS

- Set of (4) 6" (15.2 cm) high casters
- Set of (4) 8" (20.3 cm) high casters
- Set of (4) 6" (15.2 cm) high legs

WARRANTY

A six-year parts and labor warranty, an additional one-year compressor parts warranty (for a total of seven years) and a three-year evaporator coil parts and labor warranty are provided standard

ESTIMATED PERFORMANCE CHART

Temp. Zone	Chill Time (minutes)	Product Load (lbs.)
160°F to 40°F	90	32
	120	48
135°F to 40°F	240	80

CAD and/or Revit Files Available

<https://traulsen.klccad.com>

Approved by:	Approved by:	Date:
--------------	--------------	-------