

"FTSG" FLOOR TROUGHS

14GA Stainless Steel w/Subway-Style Steel Grating

FEATURES:

- Accommodates A 4" O.D. Diameter Drain Pipe 3.25" Long
- Removable Grate With 3/8" Diameter Stainless Steel Rods And 3/16"x1" Stainless Steel Bar Stock On 3/4" Centers
- 5 Degree Breaks In Bottom For Positive Drainage Towards Drain
- Includes Drain Basket

SPECIFICATIONS:

- All TIG Welded, Exposed Welds Are Polished To Match Adjacent Surface
- 14GA, Type 300 Stainless Steel

CERTIFICATIONS:



INCLUDED DRAIN BASKET

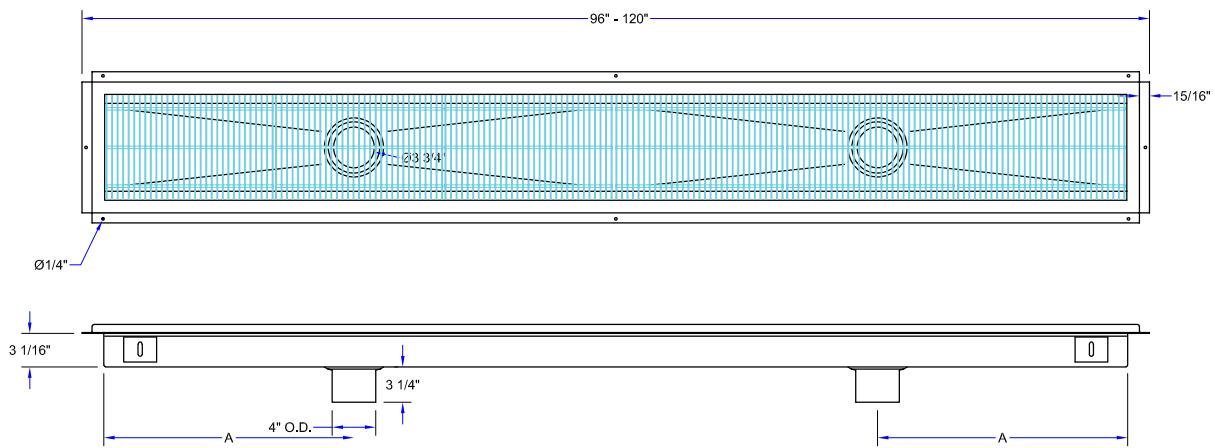
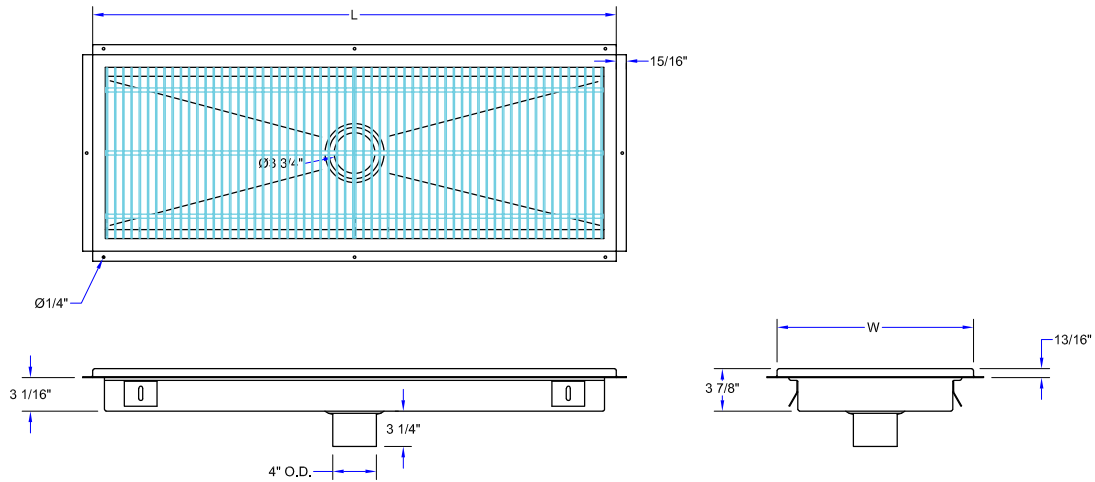
"FTSG" FLOOR TROUGHS - STAINLESS STEEL GRATE

LENGTH	12" WIDE	WT (LBS)	18" WIDE	WT (LBS)	24" WIDE	WT (LBS)	DRAIN LOCATION (A)
12"	FTSG-1212	13	-	-	-	-	Centered
24"	FTSG-1224	25	FTSG-1824	37	FTSG-2424	49	Centered
36"	FTSG-1236	37	FTSG-1836	56	FTSG-2436	75	Centered
48"	FTSG-1248	50	FTSG-1848	76	FTSG-2448	100	Centered
60"	FTSG-1260	62	FTSG-1860	93	FTSG-2460	125	Centered
72"	FTSG-1272	75	FTSG-1872	105	FTSG-2472	150	Centered
84"	FTSG-1284	90	FTSG-1884	115	FTSG-2484	175	Centered
96"	FTSG-1296 *	100	FTSG-1896 *	135	FTSG-2496 *	210	22-15/16"
108"	FTSG-12108 *	112	FTSG-18108 *	150	FTSG-24108 *	230	25-15/16"
120"	FTSG-12120 *	125	FTSG-18120 *	165	FTSG-24120 *	255	28-15/16"

*INCLUDES 2 DRAINS

ALL DIMENSIONS ARE TYPICAL. TOLERANCE +/- .500". JOHN BOOS & CO. RESERVES THE RIGHT TO CHANGE SPECIFICATIONS WITHOUT NOTICE.

DETAILED SPECIFICATIONS



"FTSG" FLOOR TROUGHS - STAINLESS STEEL GRATE

LENGTH	12" WIDE	WT (LBS)	18" WIDE	WT (LBS)	24" WIDE	WT (LBS)	DRAIN LOCATION (A)
12"	FTSG-1212	13	-	-	-	-	Centered
24"	FTSG-1224	25	FTSG-1824	37	FTSG-2424	49	Centered
36"	FTSG-1236	37	FTSG-1836	56	FTSG-2436	75	Centered
48"	FTSG-1248	50	FTSG-1848	76	FTSG-2448	100	Centered
60"	FTSG-1260	62	FTSG-1860	93	FTSG-2460	125	Centered
72"	FTSG-1272	75	FTSG-1872	105	FTSG-2472	150	Centered
84"	FTSG-1284	90	FTSG-1884	115	FTSG-2484	175	Centered
96"	FTSG-1296 *	100	FTSG-1896 *	135	FTSG-2496 *	210	22-15/16"
108"	FTSG-12108 *	112	FTSG-18108 *	150	FTSG-24108 *	230	25-15/16"
120"	FTSG-12120 *	125	FTSG-18120 *	165	FTSG-24120 *	255	28-15/16"

*INCLUDES 2 DRAINS

ALL DIMENSIONS ARE TYPICAL. TOLERANCE +/- .500". JOHN BOOS & CO. RESERVES THE RIGHT TO CHANGE SPECIFICATIONS WITHOUT NOTICE.