



Your Solutions Partner

Specifications

F.O.B. Sedalia, Missouri 65301



315-FCP-25-N7

OPTIONS:

- Sliding/Hinged doors
- * Condensate evaporator
- 14 or 16 Gauge tops
- Foodshields
- Trayslides
- Adapter bars
- Adapter panels
- Carving Boards
- Kick plates SS & PG
- 5" casters, with locks
- Dish Shelf
- False bottom
- Veneered plastic laminate panels on body
- Powder coat paint colors available
- Body latches
- 8ft. or 10ft. cord and plug

Certifications:

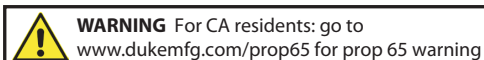


UL/ANSI NSF4

DUKE MANUFACTURING CO.

2305 N. Broadway
 St. Louis, MO 63102
 800.735.3853 Toll Free
 314.231.5074 Fax
 www.dukemfg.com
 SS-1260 AeroServ Flushmount Cold Pan

Specification subject to change



Approval Stamp(s):

PRODUCT INFORMATION:

PROJECT: _____

ITEM: _____

QUANTITY: _____

MODEL:

AeroServ Serving Systems
Flushmount Cold Pan

- 314-FCP-25-N7 32" Long 2 Sections
- 315-FCP-25-N7 46" Long 3 Sections
- 316-FCP-25-N7 60" Long 4 Sections
- 327-FCP-25-N7 74" Long 5 Sections
- 328-FCP-25-N7 88" Long 6 Sections

BODY:

- 20 gauge, 300 Series stainless steel
- Cutout, flanged down & attached to liner of cold pan
- Flanged or channeled edges
- Welded together with local reinforcements
- Compressor compartment with removable louvered grille
- Mounted on 6" stainless steel legs with adjustable feet
- Stainless steel
- Paint grip
- Choice of available powder coat colors

LINER:

- 18 gauge, 300 Series stainless steel
- Accepts up to 6" deep food pans
- Insulated on all four sides and bottom
- Drain for each well manifolded to one location
- Condensing unit, refrigerant coil, controls, electric cord and plug - NEMA 5-15
- R448a Refrigerant
- Food pans flush with top (not recessed)

CONTROL:

- Touchscreen control left justified in apron
- Simple touch screen control with 3 preset LOW/MED/HIGH temperature settings.

AeroServ

A.I.A. File No. 35-C-13

Catalog No. Flushmount Cold Pan

AEROSERV - SERVING SYSTEMS - Flushmount Cold Pan

Flushmount Cold Pan

LEGEND

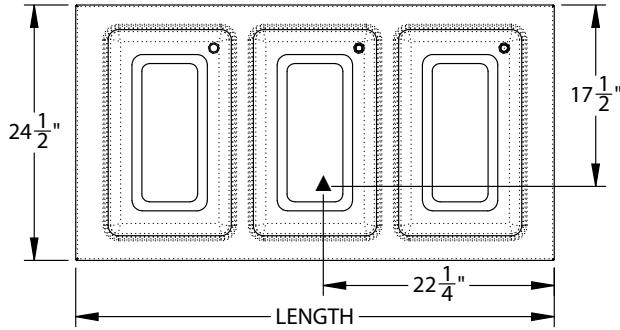
▲ ELECTRIC CONNECTION POINT SINGLE PHASE
With 6' cord and plug

ELECTRICAL SPECIFICATIONS

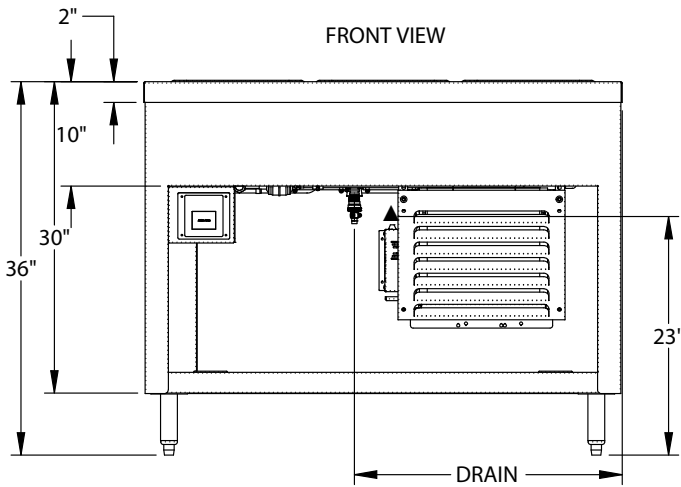
*If optional condensate evaporator add 300 Watts, 2.6 Amps

Model	120 Volt		
	Watts	Amps	NEMA
314-FCP-25-N7	432	3.7	5-15
315-FCP-25-N7	576	4.9	5-15
316-FCP-25-N7	576	4.9	5-15
327-FCP-25-N7	576	4.9	5-15
328-FCP-25-N7	576	4.9	5-15

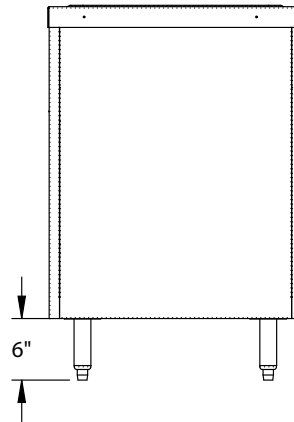
TOP VIEW



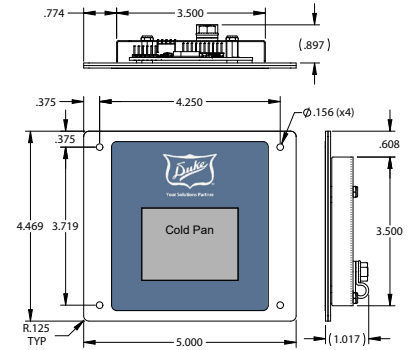
FRONT VIEW



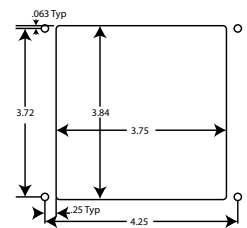
SIDE VIEW



Control Specifications



Control Cutout



DIMENSIONS:

Model	Length		Width		Height		Drain	Cube ft. crated	Weight	
	in	cm	in	cm	in	cm			lbs	kg
314-FCP-25-N7	32	81.3	24.5	62.23	36.00	91.4	22.15	34.8	255	115.9
315-FCP-25-N7	46	116.8	24.5	62.23	36.00	91.4	25.56	47.7	354	160.9
316-FCP-25-N7	60	152.4	24.5	62.23	36.00	91.4	25.56	60.5	425	193.2
327-FCP-25-N7	74	188.0	24.5	62.23	36.00	91.4	25.56	73.3	518	235.5
328-FCP-25-N7	88	223.5	24.5	62.23	36.00	91.4	25.56	86.2	580	263.4

Freight Class: 115



Duke Manufacturing Co.
2305 N. Broadway
St. Louis, MO 63102

Phone: 314-231-1130
Toll Free: 1-800-735-3853
Fax: 314-231-5074

www.dukemfg.com

Printed in U.S.A
© 2024, Duke Manufacturing Co.