

Item# _____
Project: _____
Qty: _____

Undercounter Freezer

UCF-26-HC



UCF-36-HC



Serv-Ware

Features

- Electronic thermostat & digital led temperature display
- High efficiency cfc free insulation
- Auto defrosting & auto evaporation of condensation water
- Stainless steel front & sides
- Self-closing doors, remain open past 90°
- Shipped with casters installed

Conforms to UL471, CSA C22.2 and NSF 7 Standards.

Two Year - Parts & Labor on entire unit. Valid in United States
Three Year - Additional Compressor, Part Only



Serv-Ware
www.servware.com

Phone:(800).768.5953

Revised 10/18

Fax:(800).976.1299



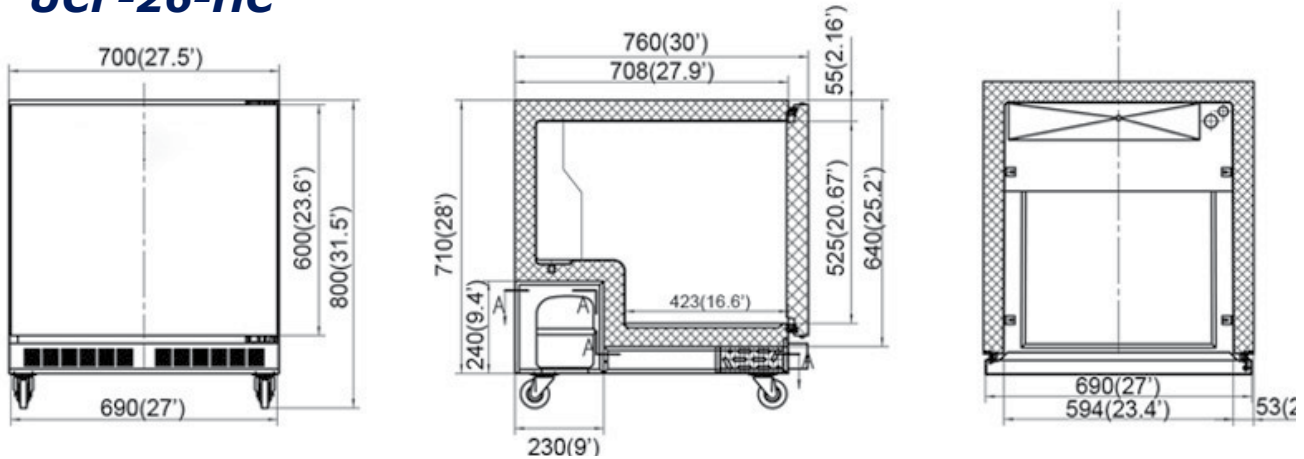
Item# _____

Project: _____

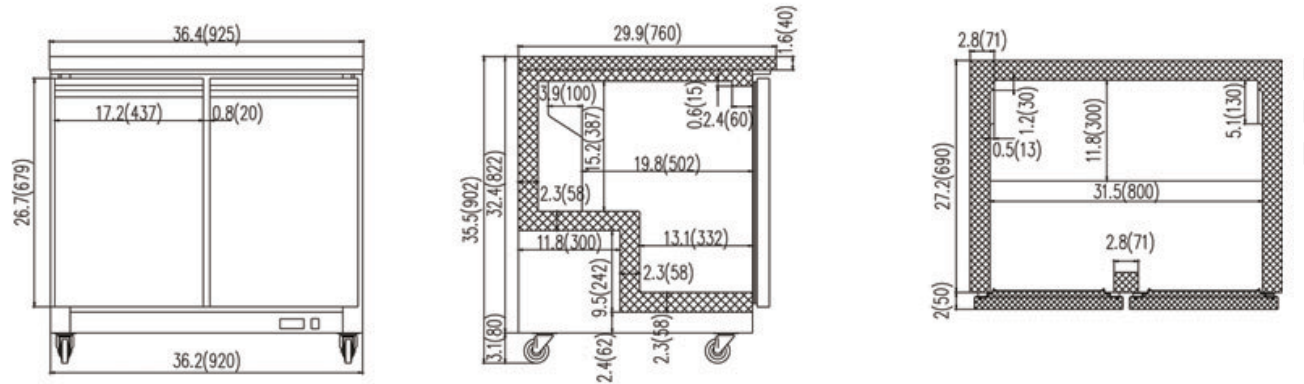
Qty: _____

Undercounter Freezer

UCF-26-HC



UCF-36-HC



26" Freezer

Exterior Dimensions 27.5" W x 30" D x 31.5" H
Net Volume 6.5 cu. ft.
Shipping Weight 177 lbs

36" Freezer

Exterior Dimensions 36.4" W x 29.9" D x 35.5" H
Net Volume 7.7 cu. ft.
Net Weight 267 lbs

Construction

Exterior Material Stainless Steel
Interior Material ABS with S/S Floor
Insulation Material CFC Free Foam
Shelf Material Epoxy Coated Wire

Cooling

Temperature Range -10°F – +10°F
Refrigerant R290
Defrosting Every 6 Hours
H/P 1/4

Electrical

Voltage 115
Amps 5 (UCF-26 & UCF-36)
Hz 60
Phase 1
Nema Plus 5-15P



Serv-Ware
www.servware.com

Phone: (800).768.5953

Revised 10/18

Fax: (800).976.1299



Serv-Ware