

# SANDWICH UNIT REFRIGERATOR

## Model: SW27N8-FB

Natural Refrigerant R-290 Model

### 27" Standard Top Sandwich Unit Refrigerator with Solid Door - 8 Pans Front Breathing

Stainless steel front, top and end panels, aluminum back and interior.



## Options and Accessories

(upcharge and lead times may apply)

|                                       |                            |
|---------------------------------------|----------------------------|
| Stainless steel interior              | Flat lid                   |
| Stainless steel back                  | Vision panel lid           |
| Additional epoxy coated steel shelves | Rear mounted cutting board |
| Stainless steel shelves               | Composite cutting board    |
| Overshelves (single or double)        | Crumb catcher              |
| Door locks                            | Modified pan opening       |
| Drawers in lieu of door*              |                            |

Consult factory for other model configurations, options and accessories.

\*Drawers hold (1) 12x20x6 pan per drawer.

**Continental**  
Refrigerator



Project Name:

Model Specified:

Location:

Item No:

Quantity:

AIA #:

SIS #:

## Standard Model Features

### REFRIGERATION SYSTEM

Performance rated refrigeration system

Natural, environmentally safe, high efficiency R-290 refrigerant<sup>1</sup>

Unique air flow distribution allows pan product to maintain 33° - 41°F

Automatic, hot gas condensate evaporator

Non-corrosive, plasticized fin evaporator coil

Easily serviceable, back mounted compressor

### CABINET ARCHITECTURE

2" non-CFC polyurethane foam insulation

Smooth, polished chrome door handle

Spring loaded, self closing door

Magnetic snap in Santoprene™ door gasket

Heavy duty, epoxy coated steel shelf

12" deep, full length nylon cutting board

Insulated lid

Completely enclosed, vented and removable case back

3 3/4" casters

### MODEL FEATURES

(8) 1/6 size recessed pans, 4" deep

Removable interior tub below pans

Electronic control, off-cycle defrost

Field rehingeable door

<sup>1</sup> R-290 refrigerant meets all federal and state regulatory requirements.

Front breathers are a unique, field assembled, bottom mounted ventilation system designed to allow cabinets to be flush against a wall or built into a counter to conserve space. For proper operation, the area under and in front of the cabinet must not be obstructed in any way.

APPROVAL:

# Model Specifications

## DIMENSIONAL DATA

|   |                  |
|---|------------------|
| Net Capacity (cubic feet)                               | 7.4 (210 l)      |
| 1/6 Size Pans (4" deep)                                 | 8                |
| Width, Overall (inches)                                 | 27 1/2 (699 mm)  |
| Depth, Overall (inches)<br>(including handle & bumpers) | 32 5/16 (821 mm) |
| Depth, Cutting Board (inches)                           | 12 (305 mm)      |
| Height, Overall (inches)<br>(including 3 3/4" casters)  | 41 (1041 mm)     |
| Shelf Area (square feet)                                | 3.5 (0.3 sq m)   |
| Number of Shelves                                       | 1                |
| Number of Doors   | 1                |
| Interior Depth (inches)                                 | See Drawing      |
| Interior Height (inches)                                | 26 1/4 (667 mm)  |
| Interior Width (inches)                                 | 24 1/2 (622 mm)  |

## REFRIGERANT DATA

|                               |      |
|-------------------------------|------|
| Condensing Unit Size (H.P.)   | 1/5  |
| R-290 Refrigerant Charge (oz) | 3.4  |
| Capacity (BTU per hour)*      | 1390 |

## ELECTRICAL DATA

|  |                     |
|--|---------------------|
| Voltage (International)                        | 115/60/1 (220/50/1) |
| Total Amps (International)                     | 3.1 (1.6)           |
| 10 ft. Cord/Plug [attached]<br>(International) | Yes<br>(No)         |

## SHIPPING DATA

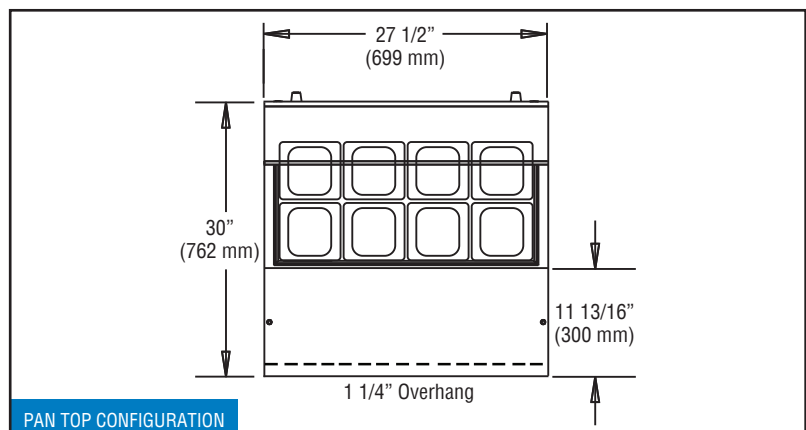
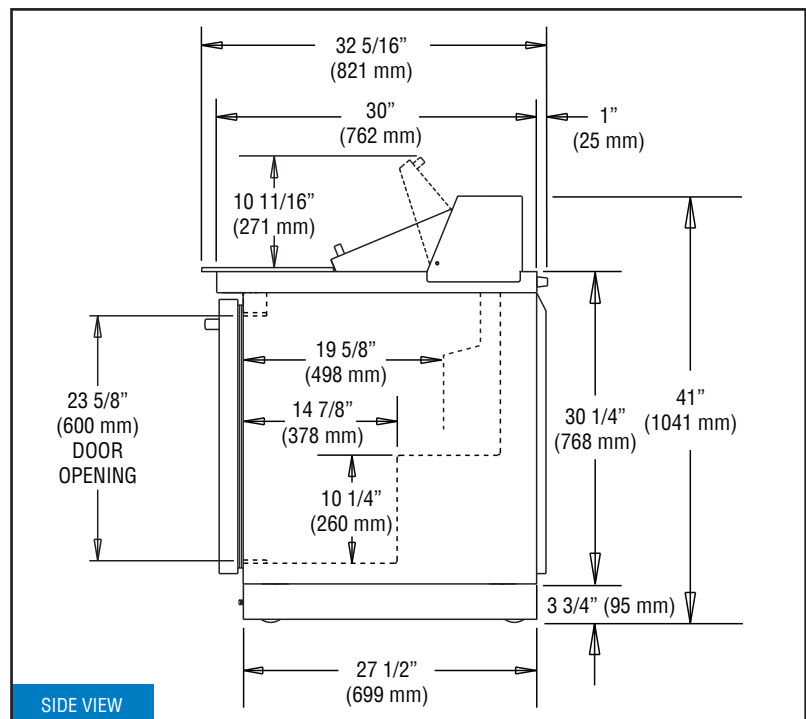
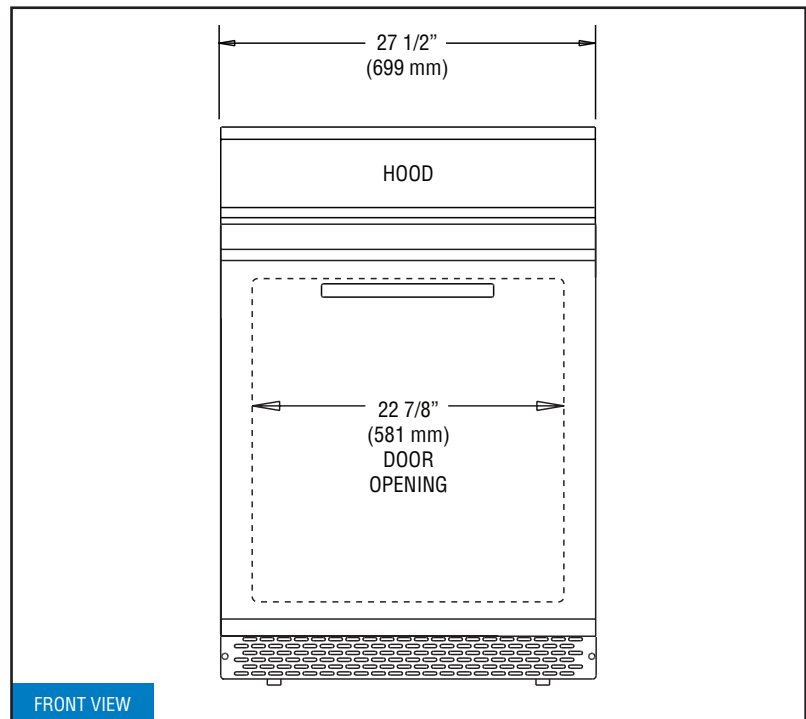
|                          |                  |
|--------------------------|------------------|
| Weight (pounds)          | 230 (105 kg)     |
| Height - Crated (inches) | 43 1/4 (1099 mm) |
| Width - Crated (inches)  | 35 1/2 (902 mm)  |
| Depth - Crated (inches)  | 37 1/4 (946 mm)  |

\* Rating @ +25°F evaporator, 90°F ambient  
 Figures in parentheses reflect metric equivalents rounded to the nearest whole unit.



Equipped with one NEMA-5-15P Plug  
 (varies by country)

# Model Plan Views



Toll-Free: 800-523-7138  
 Phone: 215-244-1400  
 Fax: 215-244-9579

539 Dunksferry Road  
 Bensalem, PA 19020  
[www.continentalrefrigerator.com](http://www.continentalrefrigerator.com)

Due to our continued efforts in developing innovative products, specifications subject to change without notice.



PROUDLY  
 DESIGNED & ASSEMBLED  
 IN THE U.S.A.