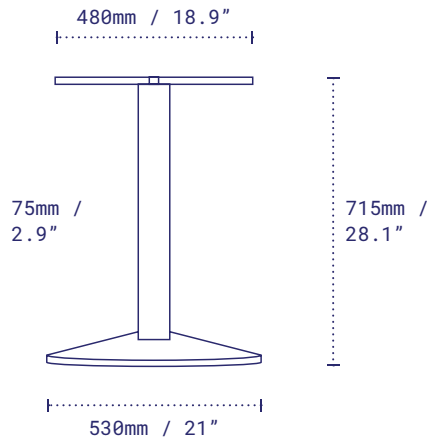



B21DISCNR-STD : DINING HEIGHT





Sol is your go-to for maximising space. Our neat cone-shaped disc base allows for our self-stabilising technology to sit under the column, like our x-bases, and then run seamlessly flush to the ground at the feet.

Pictured: Sol 17 Dining Height, Sandstone Black.

DETAILS

 Material	Steel – Zinc Phosphate Disc and Column, Alodine Top Plate
 Next-Level Protection	Available on Request
 Height excl. table top	715mm / 28.1"
 Base diameter	530mm / 21"
 Column width	75mm / 2.9"
 Top plate	Fixed
 Net weight	10.3kg / 22.7lbs
 Max recommended table top	<input type="radio"/> 914mm / 36" <input type="checkbox"/> 800mm / 32"
 Resources	no-rock.com/product/sol1

PACKAGING

 Carton	650 x 650 x 100mm / 25.6 x 25.6 x 3.9" x Box 1
 Gross weight	11.8kg / 26.0lbs

STANDARD COLOR RANGE

 Sandstone Black

